

## Features

- Local Oscillator Output Power: -6 dBm at 3.3 GHz
- Supply-voltage Range 3 V to 4.6 V
- Fast Settling Synthesizer
- Supports Multiple Reference Clocks (10.368 MHz/13.824 MHz)

## Benefits

- Extended Battery Operating Time
- Low Current Consumption
- Very Small QFN32 5 mm × 5 mm Package
- Few Low Cost External Components

Electrostatic sensitive device.

Observe precautions for handling.



## Description

The ATR2807 is an RF building block. It is used as a 3.344 GHz output frequency local oscillator. The QFN32-packaged IC includes an LO buffer, synthesizer together with fully integrated VCO and supply voltage regulators.

Figure 1. Block Diagram

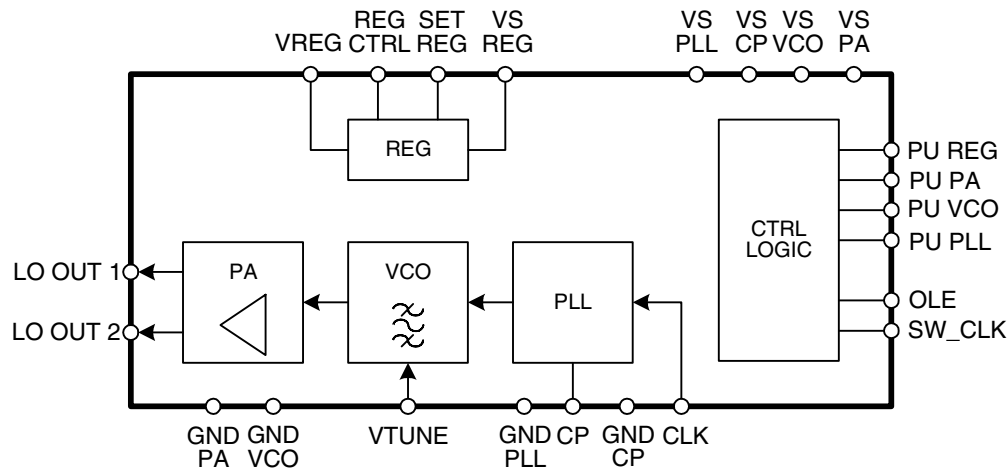


Table 1. Functional Block Description

Name	Description
REG	Voltage regulator
CP	Charge pump
PLL	Phase locked loop
PA	Buffer amplifiers for LO_OUT
VCO	Voltage-controlled oscillator



3.3 GHz  
LO + PLL-chip

ATR2807

Summary

Preliminary

Rev. 4691GS-DECT-08/04



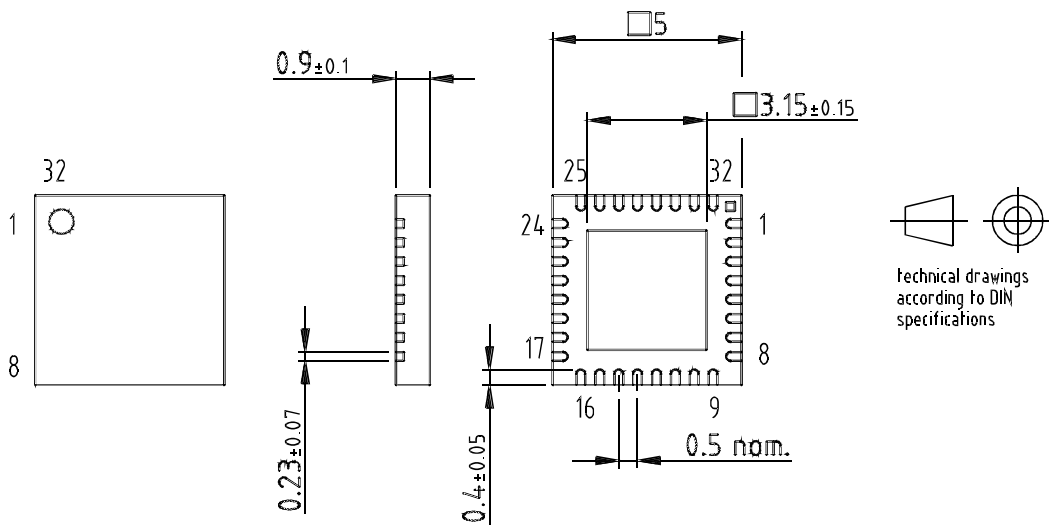
Note: This is a summary document. A complete document is available under NDA. For more information, please contact your local Atmel sales office.

## Ordering Information

Extended Type Number	Package	Remarks
ATR2807	QFN32	Taped and reeled

## Package Information

Package: QFN 32 - 5x5  
 Exposed pad 3.15x3.15  
 (acc. JEDEC OUTLINE No. MO-220)  
 Dimensions in mm



Drawing-No.: 6.543-5087.01-4  
 Issue: 2; 24.01.03



## Atmel Corporation

2325 Orchard Parkway  
San Jose, CA 95131, USA  
Tel: 1(408) 441-0311  
Fax: 1(408) 487-2600

## Regional Headquarters

### Europe

Atmel Sarl  
Route des Arsenaux 41  
Case Postale 80  
CH-1705 Fribourg  
Switzerland  
Tel: (41) 26-426-5555  
Fax: (41) 26-426-5500

### Asia

Room 1219  
Chinachem Golden Plaza  
77 Mody Road Tsimshatsui  
East Kowloon  
Hong Kong  
Tel: (852) 2721-9778  
Fax: (852) 2722-1369

### Japan

9F, Tonetsu Shinkawa Bldg.  
1-24-8 Shinkawa  
Chuo-ku, Tokyo 104-0033  
Japan  
Tel: (81) 3-3523-3551  
Fax: (81) 3-3523-7581

## Atmel Operations

### Memory

2325 Orchard Parkway  
San Jose, CA 95131, USA  
Tel: 1(408) 441-0311  
Fax: 1(408) 436-4314

### Microcontrollers

2325 Orchard Parkway  
San Jose, CA 95131, USA  
Tel: 1(408) 441-0311  
Fax: 1(408) 436-4314

La Chantrerie  
BP 70602  
44306 Nantes Cedex 3, France  
Tel: (33) 2-40-18-18-18  
Fax: (33) 2-40-18-19-60

### ASIC/ASSP/Smart Cards

Zone Industrielle  
13106 Rousset Cedex, France  
Tel: (33) 4-42-53-60-00  
Fax: (33) 4-42-53-60-01

1150 East Cheyenne Mtn. Blvd.  
Colorado Springs, CO 80906, USA  
Tel: 1(719) 576-3300  
Fax: 1(719) 540-1759

Scottish Enterprise Technology Park  
Maxwell Building  
East Kilbride G75 0QR, Scotland  
Tel: (44) 1355-803-000  
Fax: (44) 1355-242-743

### RF/Automotive

Theresienstrasse 2  
Postfach 3535  
74025 Heilbronn, Germany  
Tel: (49) 71-31-67-0  
Fax: (49) 71-31-67-2340

1150 East Cheyenne Mtn. Blvd.  
Colorado Springs, CO 80906, USA  
Tel: 1(719) 576-3300  
Fax: 1(719) 540-1759

### Biometrics/Imaging/Hi-Rel MPU/ High Speed Converters/RF Datacom

Avenue de Rochepleine  
BP 123  
38521 Saint-Egreve Cedex, France  
Tel: (33) 4-76-58-30-00  
Fax: (33) 4-76-58-34-80

---

### Literature Requests

[www.atmel.com/literature](http://www.atmel.com/literature)

**Disclaimer:** Atmel Corporation makes no warranty for the use of its products, other than those expressly contained in the Company's standard warranty which is detailed in Atmel's Terms and Conditions located on the Company's web site. The Company assumes no responsibility for any errors which may appear in this document, reserves the right to change devices or specifications detailed herein at any time without notice, and does not make any commitment to update the information contained herein. No licenses to patents or other intellectual property of Atmel are granted by the Company in connection with the sale of Atmel products, expressly or by implication. Atmel's products are not authorized for use as critical components in life support devices or systems.

© Atmel Corporation 2004. All rights reserved.

Atmel® and combinations thereof are the registered trademarks of Atmel Corporation or its subsidiaries.

Other terms and product names may be the trademarks of others.



Printed on recycled paper.

4691GS-DECT-08/04