

FEATURES

- Little or No Heat Sink Required
- Ease of Use
- Emitter Peaking
- Rise Time <8.0ns
- Fall Time <8ns

APPLICATIONS

- 14", 15" and 17" Monitors with 69KHz Scanning Frequency

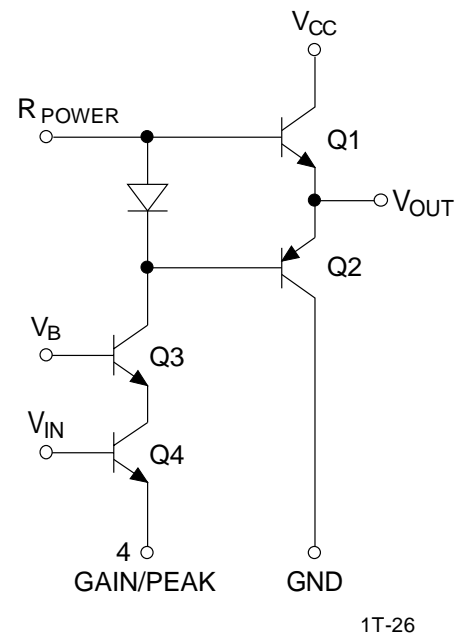
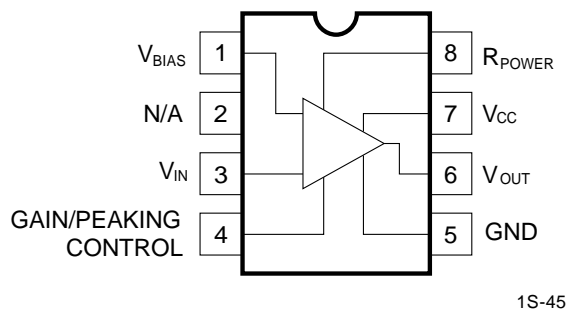
DESCRIPTION

The CVA1556N CRT driver amplifier is a very low cost solution designed for monitors up to 69KHz. This product is designed to replace the discrete solution for the 14", 15" and 17" monitors.

ORDERING INFORMATION

Part	Package	Temperature
CVA1556N	8-PDIP	0°C to +110°C

CONNECTION AND BLOCK DIAGRAMS



ABSOLUTE MAXIMUM RATINGS

Supply Voltage	100V	Operating Temperature (Case)	0°C to +110°C
Storage Temperature	-25°C to +125°C	Lead Temperature	+300°C
Junction Temperature	175°C		

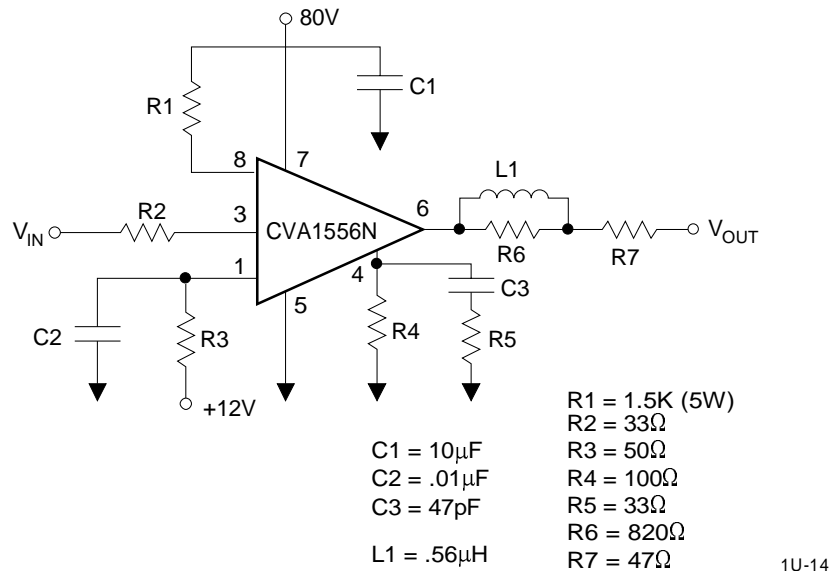
DC ELECTRICAL CHARACTERISTICS $V_s = 80V, C_L = 12pF, V_{BIAS} = 12V, V_{IN} = 2.7V, R_L = 1500\Omega, T_{CASE} = +25^\circ C$.

SYMBOL	CHARACTERISTICS	MIN	TYP	MAX	UNITS
I_{CC}	Supply Current		20	26	mA
$V_{OUT DC}$	Output DC Level	44	50	56	V
A_v	Voltage Gain		13	15	V

AC ELECTRICAL CHARACTERISTICS $V_s = 80V, C_L = 12pF, V_{BIAS} = 12V, V_{IN} = 2.7V, R_L = 1500\Omega, T_{CASE} = +25^\circ C$.

SYMBOL	CHARACTERISTICS	MIN	TYP	MAX	UNITS
T_r	Rise Time		7.5	9	ns
T_f	Fall Time		7.5	9	ns
L_e	Linearity		5		%
OS	Overshoot		3		%

FIGURE 1. TEST AND APPLICATION CIRCUIT



APPLICATION INFORMATION

The CVA1556N is a high voltage triple CRT driver suitable for VGA, Super VGA, IBM® 8514, 1024 x 768 non-interlaced display applications. The CVA1556N features 80V operation and low power dissipation. The part is housed in the industry standard 8-pin PDIP.

Thermal Considerations

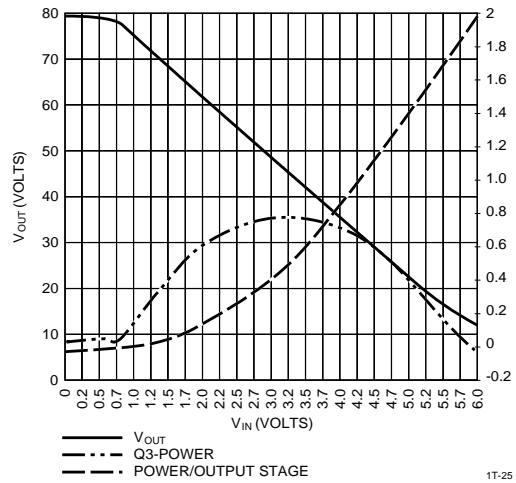
The transfer characteristics of the CVA1556N application (Figure 2.) are shown in Figure 3. Since this is a class A input stage, power supply current increases as the input signal increases and consequently power dissipation also increases.

The CVA1556N can be used without a heat sink. Under white screen condition, i.e. 25V output, dissipation is 0.6W/channel. Under gray level conditions $C_L = 12\text{pf}$, $V_{OUT} = 45\text{p-p}$, the dissipation is 1.1W/channel.

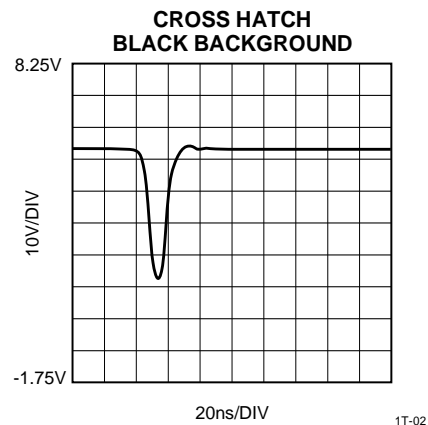
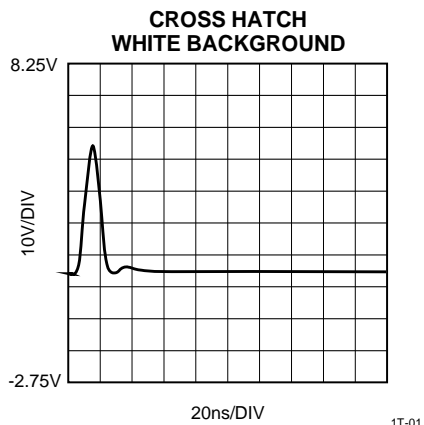
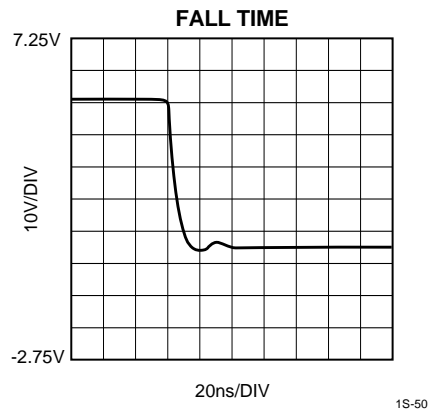
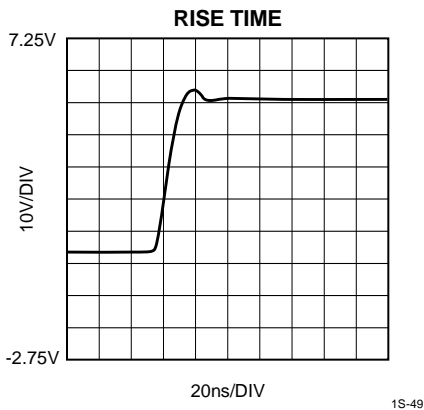
The CVA1556N maximum load is 600Ω to ground or V^+ .

The output of CVA1556N is not short circuit proof. Any resistance to V^+ or Ground should be more than 600Ω .

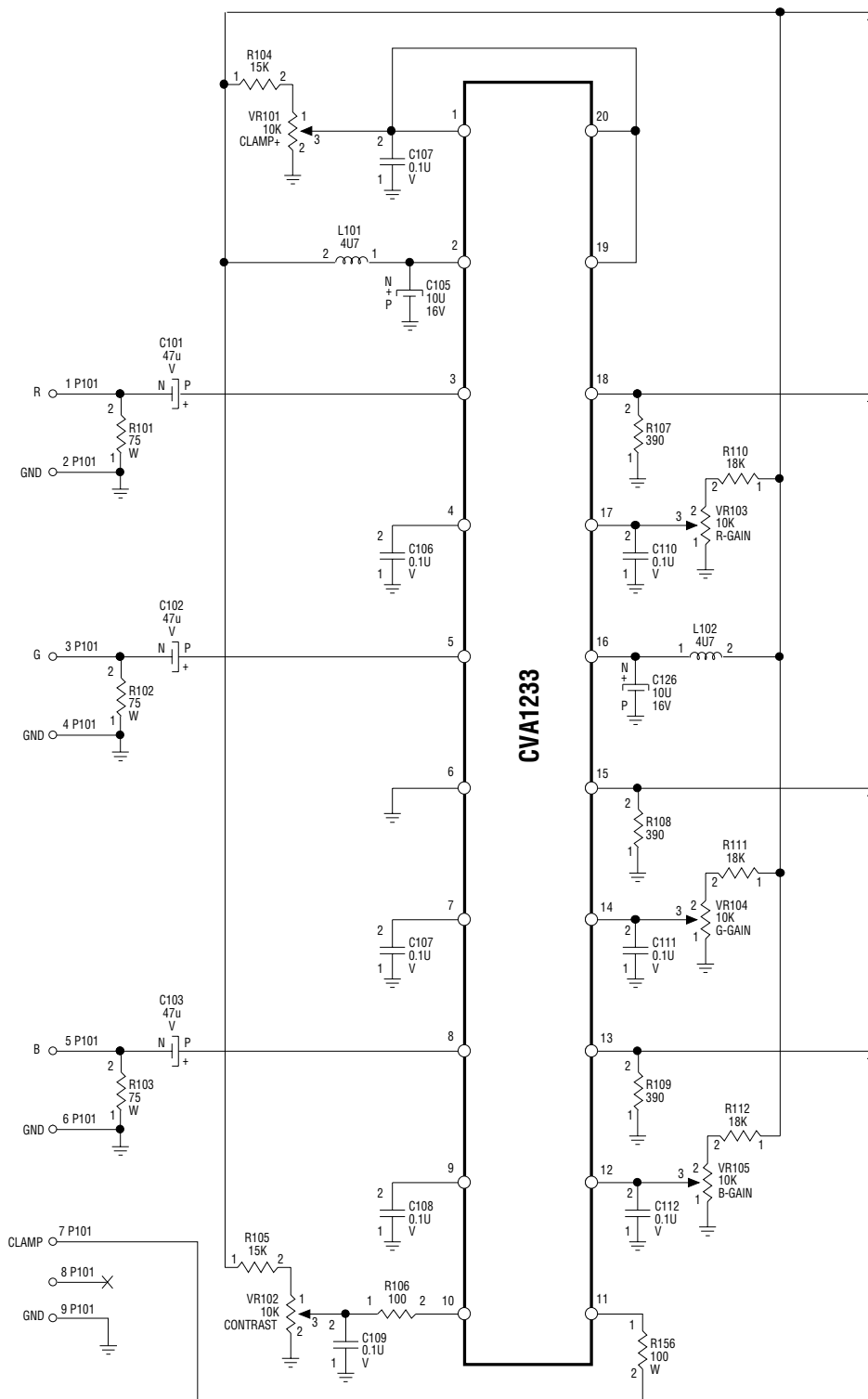
FIGURE 2. CVA1556N DC CHARACTERISTICS



TYPICAL CHARACTERISTICS

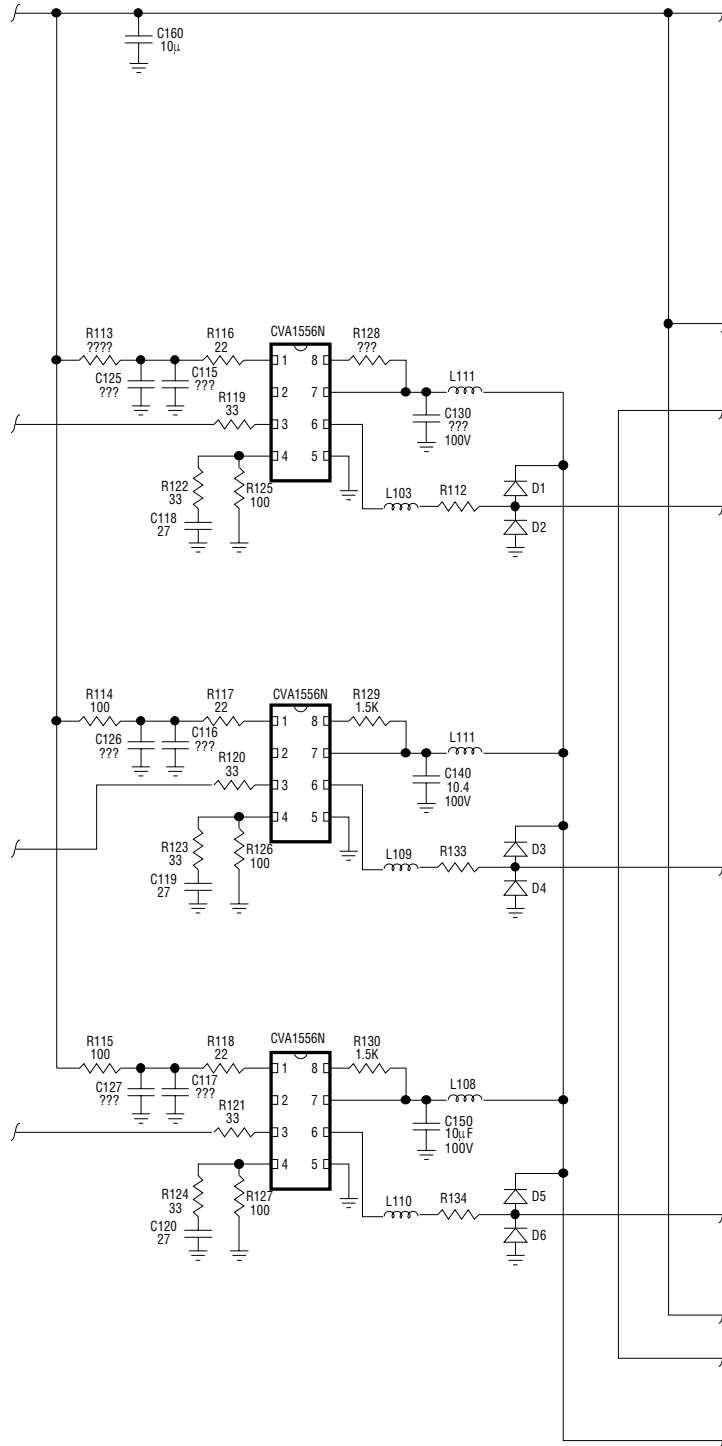


TYPICAL APPLICATION



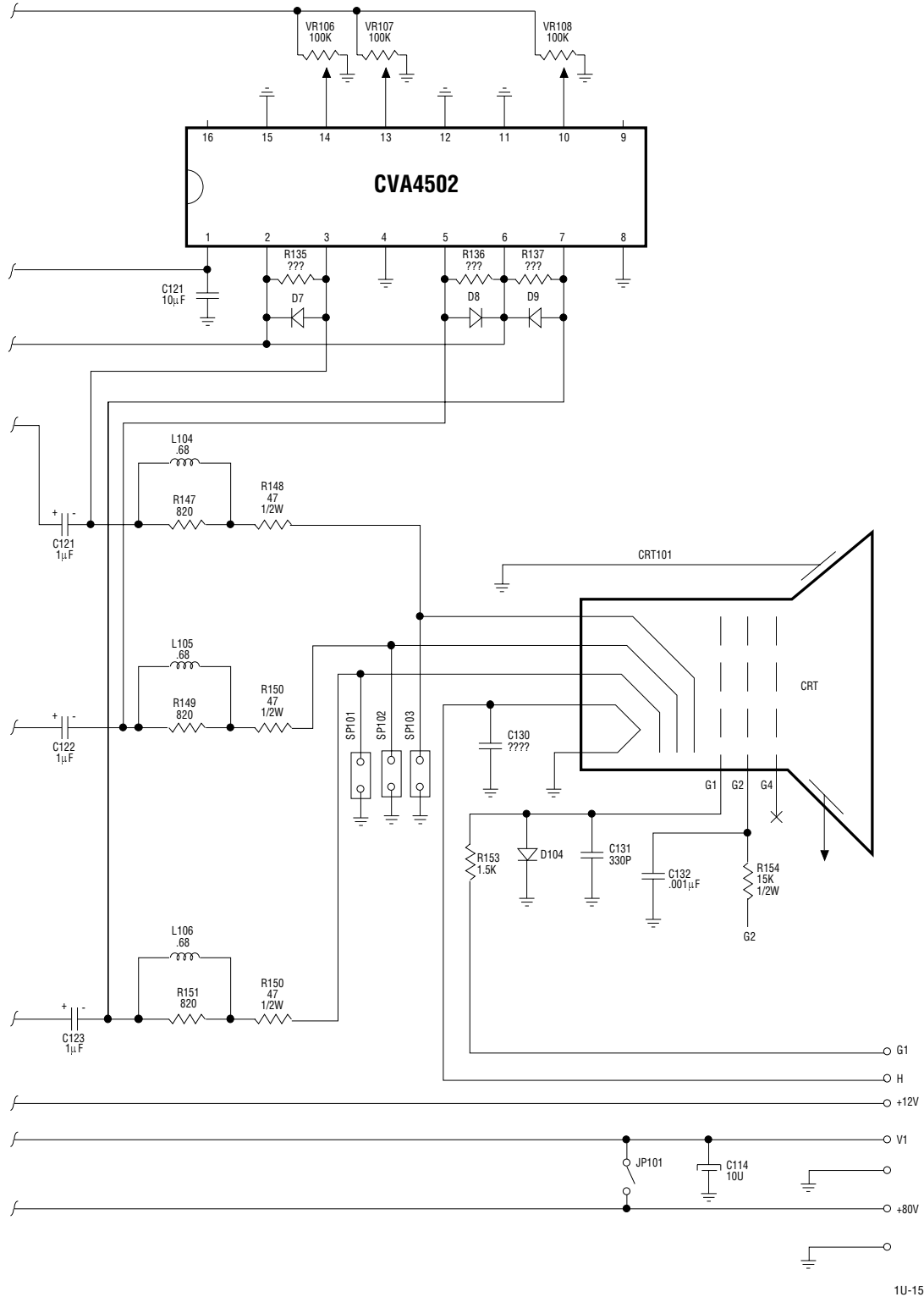
CONTINUED ON NEXT PAGE

TYPICAL APPLICATION (continued)

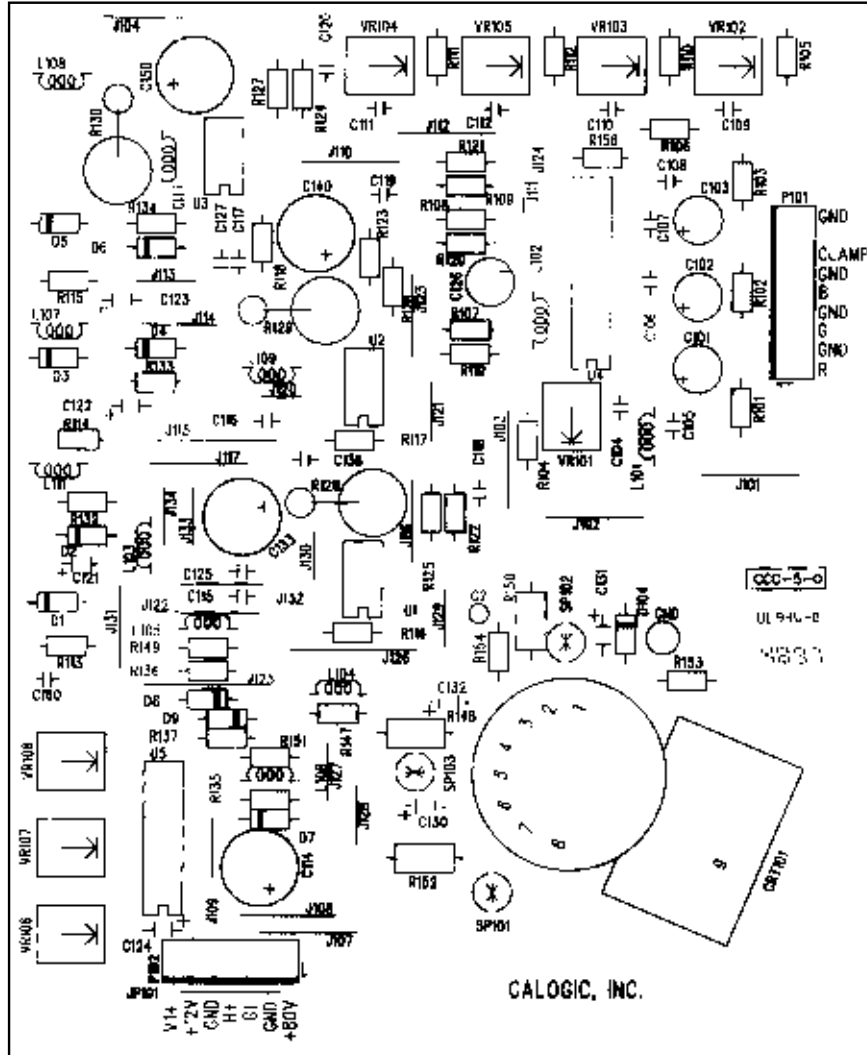


CONTINUED ON NEXT PAGE

TYPICAL APPLICATION (continued)

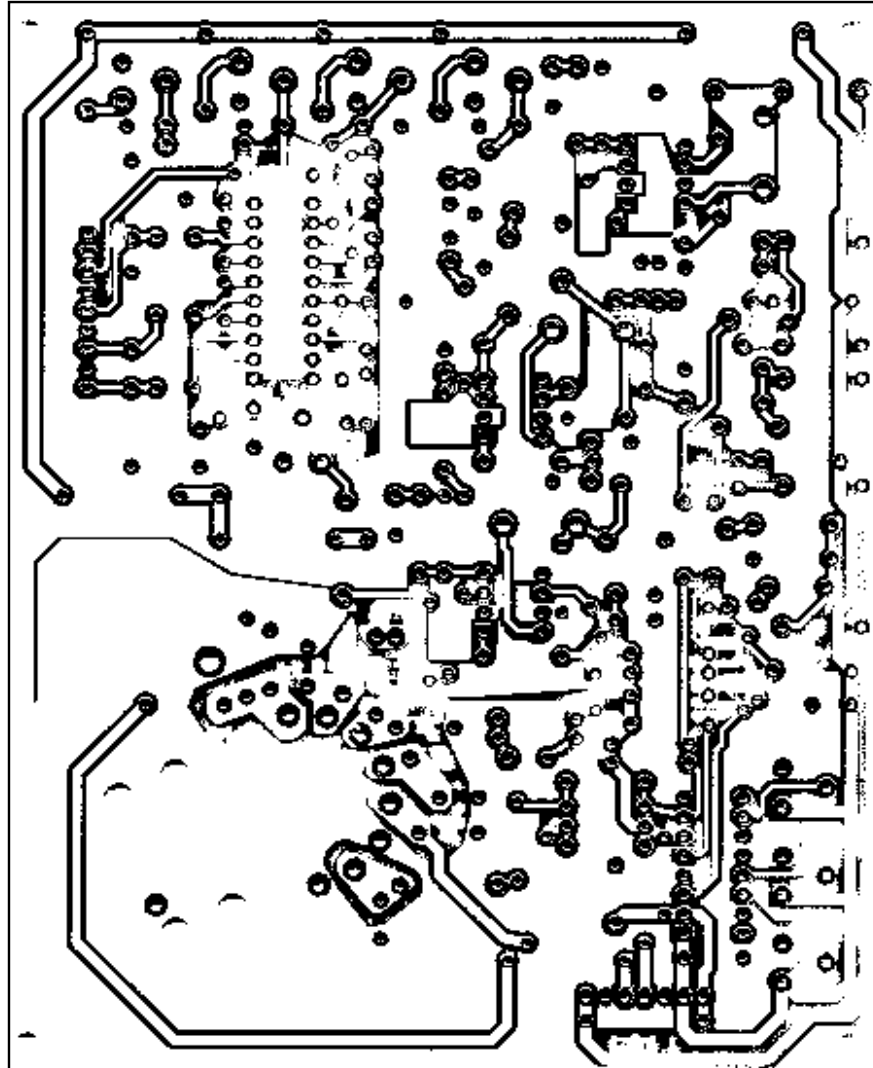


CUIRCUT BOARD



1T-04A

CUIRCUT BOARD



1T-04B