

**FEATURES**

- Rise/Fall Time..... **5.0ns**
- Swing ..... **65VP-P**
- Supply Voltage..... **90V**

**APPLICATIONS**

- CRT driver for up to 69kHz monitors with resolution up to 1280 x 1024.
- Excellent Gray Scale Linearity
- Emitter Peaking Option
- Adjustable Gain

**DESCRIPTION**

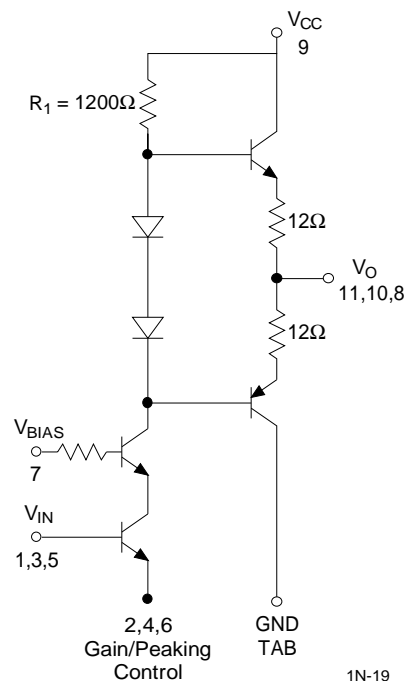
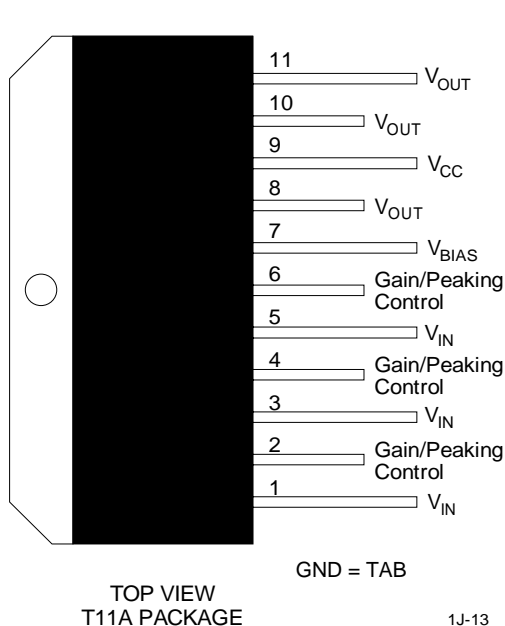
The CVA2400T contains three wideband amplifiers, designed specifically to drive a CRT. It features no crossover distortion for excellent gray scale linearity, external emitter peaking to maximize the high frequency gain at cross hatch pattern and adjustable gain for ease of use. This device can drive monitors with resolutions of 1280 x 1024 (non-interlaced) with pixel frequency of 176MHz.

The part is housed in the industry standard 11-lead TO-220 molded power package. The heat sink is grounded.

**ORDERING INFORMATION**

Part	Package	Temperature
CVA2400T	T11A	-20°C to +100°C

**CONNECTION DIAGRAM**



## ABSOLUTE MAXIMUM RATINGS

Supply Voltage . . . . .	90V	Operating Temperature . . . . .	-20°C to +100°C
Power Dissipation . . . . .	12W	Lead Temperature . . . . .	+300°C
Storage Temperature . . . . .	-25°C to +100°C		

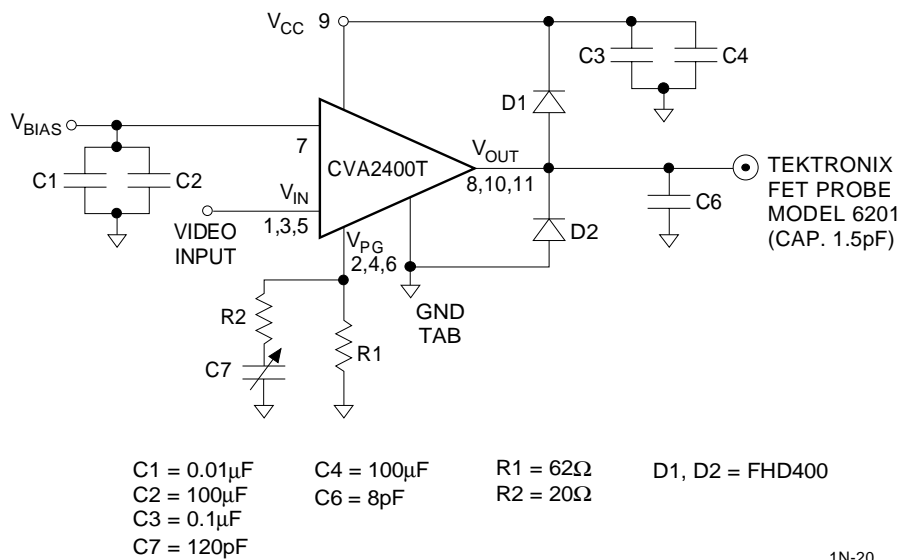
**DC ELECTRICAL CHARACTERISTICS**  $V_s = 80V$ ,  $C_L = 8pF$ ,  $DC_{INPUT\ BIAS} = 12V$ ,  $V_{IN} = 1.8V$ ,  $V_{OUT} = 50V_{p-p}$ .  $T_{CASE} = +25^\circ C$ . See Figure 1.

SYMBOL	CHARACTERISTICS	MIN	TYP	MAX	UNITS
$I_{CC}$	Supply Current		28		mA
$V_{OUT\ DC}$	Output DC Level		52		V
$A_v$	Voltage Gain		15		V/V
	Gain Matching		0.2		dB

**AC ELECTRICAL CHARACTERISTICS**  $V_s = 80V$ ,  $C_L = 8pF$ ,  $DC_{INPUT\ BIAS} = 12V$ ,  $V_{IN} = 3.4V$ ,  $V_{OUT} = 50V_{p-p}$ .  $T_{CASE} = +25^\circ C$ . See Figure 1.

SYMBOL	CHARACTERISTICS	MIN	TYP	MAX	UNITS
$T_r$	Rise Time		5		ns
$T_f$	Fall Time		5		ns
$L_e$	Linearity		6		%
OS	Overshoot		5		%

**FIGURE 1. TEST CIRCUIT**



**FIGURE 2. APPLICATION CIRCUIT**

