



Spread Spectrum Clock Generator

Features

- 25- to 200-MHz operating frequency range
- Wide range of spread selections (9)
- Accepts clock or crystal inputs
- Provides four clocks
 - SSCLK1a
 - SSCLK1b
 - SSCLK2
 - REFOUT
- Low-power dissipation
 - 3.3V = 70 mW (typical @ 40 MHz, no load)

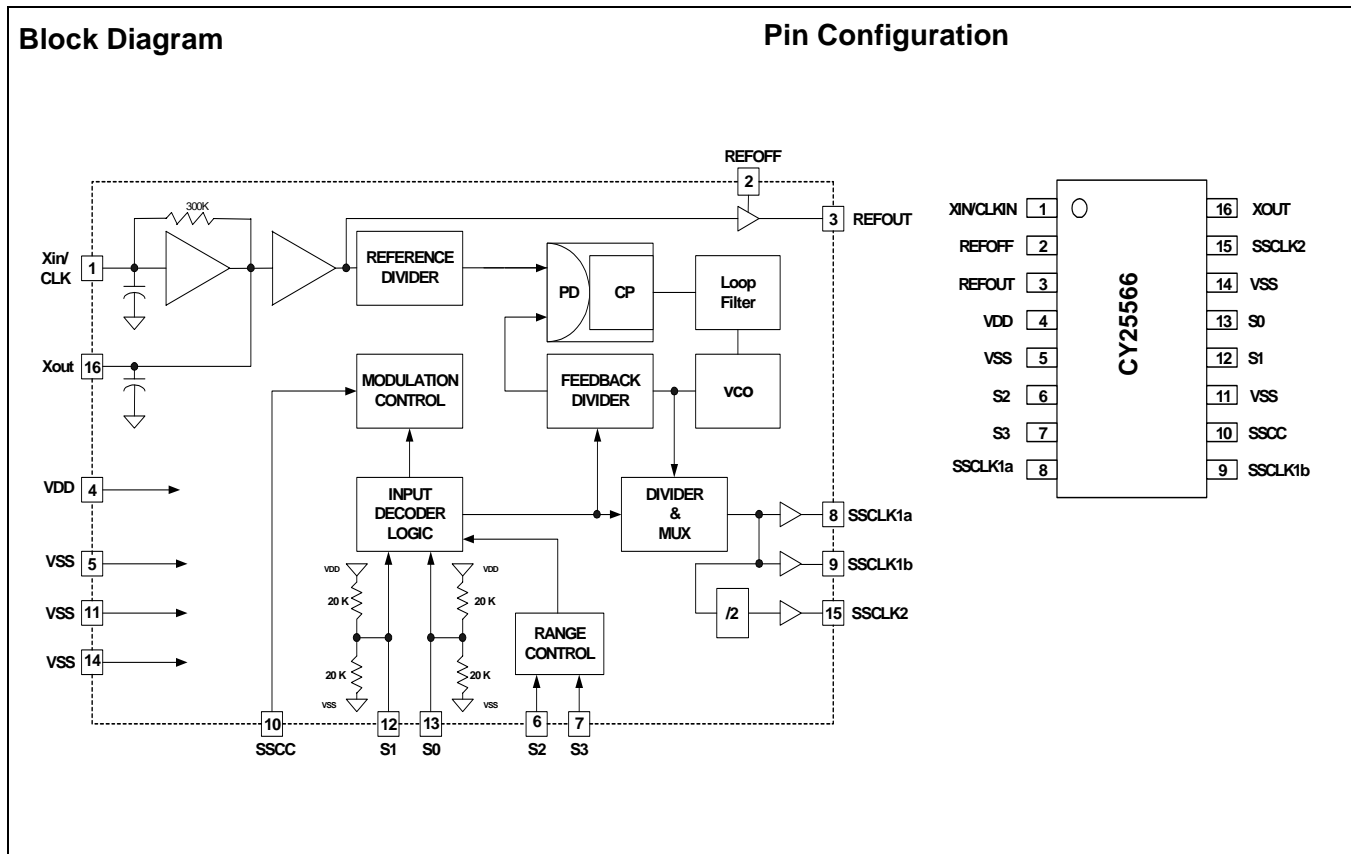
- Center spread modulation
- Low cycle-to cycle jitter
- 16-pin SOIC package

Applications

- High-resolution VGA controllers
- LCD panels and monitors
- Printers and MFPs

Benefits

- Peak EMI reduction by 8 to 16 dB
- Fast time to market
- Cost reduction



Pin Description

Pin	Name	Type	Description
1	XIN/CLKIN	I	Clock or Crystal connection input. Refer to <i>Table 1</i> , <i>Table 2</i> , and <i>Table 3</i> for input frequency range selection.
2	REFOFF	I	Input pin enables REFOUT clock at pin 3. REFOFF 400K Ω internal pull-up resistor. Logic "0" enables REFOUT, logic "1" disables REFOUT. Default = disabled.
3	REFOUT	O	Buffered, non-modulated output clock derived from XIN/CLKIN input frequency. There is a 180° phase shift from XIN to REFOUT.
4	VDD	P	Positive power supply. Bypass to ground with 0.1- μ F capacitor.
5, 11, 14	VSS	G	Positive power supply ground.
6	S2	I	VCO range control. Refer to <i>Table 1</i> , <i>Table 2</i> , and <i>Table 3</i> for detailed programming information. Has 400-K Ω internal pull-up to V _{DD} .
7	S3	I	VCO range control. Refer to <i>Table 1</i> , <i>Table 2</i> , and <i>Table 3</i> for detailed programming information. Has 400-K Ω internal pull-up to V _{DD} .
8	SSCLK1a	O	Modulated clock output. Pins 8 and 9 are identical but separate drivers.
9	SSCLK1b	O	Modulated clock output. Pins 8 and 9 are identical but separate drivers.
10	SSCC	I	Spread Spectrum clock control (enable/disable) function. SSCG function is enabled when input is high and disabled when input is low. Internal 400-K Ω pull-up defaults to modulation ON.
12	S1	I	Tri-level logic input control pin used to select frequency and bandwidth. Frequency/bandwidth selection and tri-level logic programming details. See <i>Figure 2</i> and <i>Table 1</i> , <i>Table 2</i> , and <i>Table 3</i> . Pin 8 has internal resistor divider network to V _{DD} and V _{SS} .
13	S0	I	Tri-level logic input control pin used to select frequency and bandwidth. Frequency/bandwidth selection and tri-level logic programming details. See <i>Figure 2</i> and <i>Table 1</i> , <i>Table 2</i> , and <i>Table 3</i> . Pin 8 has internal resistor divider network to V _{DD} and V _{SS} .
15	SSCLK2	O	Modulated output clock. Frequency of SSCLK2 = SSCLK1a/2. BW% of SSCLK2 is equal to BW% of SSCLK1a/b.
16	XOUT	O	Oscillator output pin connected to crystal. Leave this pin unconnected if an external clock drives XIN/CLK.

General Description

The Cypress CY25566 is a Spread Spectrum Clock Generator (SSCG) IC used for the purpose of reducing electromagnetic interference (EMI) found in today's high-speed digital electronic systems.

The CY25566 uses a Cypress-proprietary phase-locked loop (PLL) and Spread Spectrum Clock (SSC) technology to synthesize and frequency modulate the input frequency of the digital clock. By frequency modulating the clock, (SSCLK1a/b and SSCLK2), the measured EMI at the fundamental and harmonic frequencies is greatly reduced. The modulated output frequency is centered on the input frequency.

This reduction in radiated energy can significantly reduce the cost of complying with regulatory agency requirements and improve time to market without degrading system performance.

The CY25566 provides four output clocks: SSCLK1a, SSCLK1b, SSCLK2, and REFOUT. SSCLK1a/b and SSCLK2 are modulated clocks and REFOUT is a buffered copy of the reference clock or oscillator. The CY25566 frequency and spread % ranges are selected by programming S0, S1, S2, and S3 digital inputs. S0 and S1 use three (3) logic states including High (H), Low (L), and Middle (M) to select one of nine available frequency and spread % ranges. Refer to *Figure 2* for details on programming three level inputs S0 and

S1. See *Table 1*, *Table 2*, and *Table 3* for programming details for S2 and S3.

The CY25566 will operate over a wide range of frequencies from 25 to 200 MHz. Operation to 200 MHz is possible with the use of dual drivers at pins 8 and 9. With a wide range of selectable bandwidths, the CY25566 is a very flexible low-EMI clock. Modulation can be disabled to provide a four-output conventional clock.

The CY25566 is available in a 16-pin SOIC (150-mil.) package with a commercial operating temperature range of 0°C to 70°C.

Output Clock Architecture

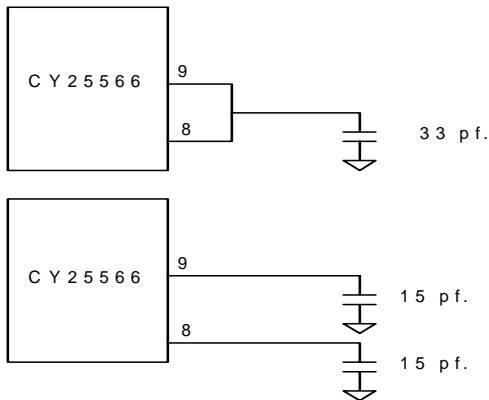
The CY25566 provides four separate output clocks: REFOUT, SSCLK1a, SSCLK1b, and SSCLK2 for use in a wide variety of applications. Each clock output is described below in detail.

REFOUT

REFOUT is a 3.3V CMOS level non-modulated inverted copy of the clock at XIN/CLKIN. As an inverted clock, the output clock at REFOUT is 180° out of phase with the input clock at XIN/CLKIN. Placing a high(1) logic state of REFOFF, pin 2, will disable the REFOUT clock. When REFOUT is disabled, REFOUT, pin 3 is at a low(0) logic state.

SSCLK1a/b

SSCLK1a and SSCLK1b are spread spectrum clock outputs used for the purpose of reducing EMI in digital systems. SSCLK1a and SSCLK1b can be connected in several different ways to provide flexibility in application designs. Each clock can drive separate nets with a capacitive load up to 15 pF each or connected together to provide drive to a single net with a capacitive load as high as 33 pF. When both clocks are connected together, the CY25566 is capable of driving 3.3V CMOS-compatible clocks to frequencies as high as 200 MHz. If one clock output is not connected to a load, negligible EMI will be generated at the unused pin because there is no current being driven. The frequency and bandwidth of SSCLK1a and SSCLK1b is programmed by the logic states presented to S2 and S3. The frequency multiplication at SSCLK1a and SSCLK1b is either 1X or 2X, controlled by S2 and S3. The modulated output clock SSCLK1 is provided at pins 8 and 9 with each pin having separate but identical drivers. Refer to *Figure 1* below.


Figure 1. SSCLK1a/b Driver Configurations
SSCLK2

SSCLK2 is a Spread Spectrum Clock with a frequency half that of the SSCLK1a clock frequency. When SSCLK1a is programmed to provide a 2.5% modulated clock at 1X times the reference clock, 40 MHz for example, the frequency of SSCLK2 will be 20 MHz with a BW of 2.5%. Note that by programming the frequency of SSCLK1a to 2X, the frequency of SSCLK2 will be 1X times the reference clock frequency.

Control Logic Structures

The CY25566 has six input control pins for programming VCO range, BW %, Mod ON/OFF and REFOUT ON/OFF. These programmable control pins are described below.

REFOFF

The output clock REFOUT can be enabled or disabled by controlling the state of REFOFF. When REFOFF is at a logic low(0) state, REFOUT is enabled and the reference clock frequency is present at pin 3. When REFOFF is at a logic high state (1), REFOUT is disabled and is set to a logic low state on pin 3. REFOFF has a 400-KW internal pull-up resistor to V_{DD} .

S0 and S1 (Tri-level Inputs)

S0 and S1 are used to program the frequency range and bandwidth of the modulated output clocks SSCLK1a/b and SSCLK2. S0 and S1 of the CY25566 are designed to sense three different analog levels. With this tri-level structure, the CY25566 is able to detect 9 different logic states. Refer to tables 5, 6 and 7 for the results of each of these 9 states. The level of each state is defined as follows:

Logic State "0" is a voltage that is between 0 and $0.15 \times V_{DD}$.

Logic State "M" is a voltage between $0.4 \times V_{DD}$ and $0.6 \times V_{DD}$.

Logic State "1" is a voltage between $0.85 \times V_{DD}$ and V_{DD} .

Figure 2 illustrates how to program tri-level logic.

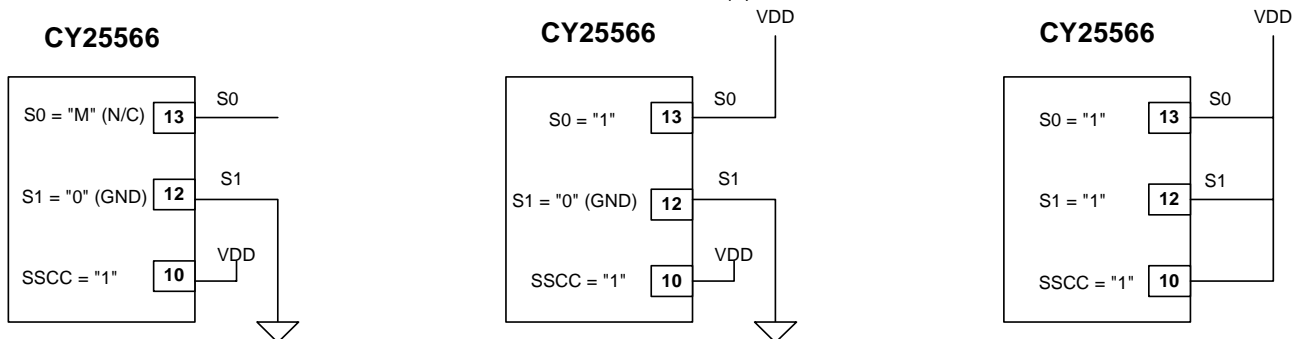
S2 and S3

S2 and S3 are used to program the CY25566 into different frequency ranges and multipliers. The CY25566 operates over a frequency range of 25 to 200 MHz and a 1X or 2X multiplication of the reference frequency. S2 and S3 are binary logic inputs and each has a 400 K W pull-up resistor to V_{DD} . See *Table 1*, *Table 2*, and *Table 3* for programming details.

SSCC

SSCC is an input control pin that enables or disables SSCG modulation of the output clock at SSCLK1a/b and SSCLK2. Disabling modulation is a method of comparing radiated EMI in a product with SSCG turned on or off.

The CY25566 can be used as a conventional low jitter multiple output clock when SSCC is set to low (0). SSCC has a 400-KW internal pull-up resistor. Logic high (1) = Modulation ON, logic low (0) = Modulation OFF. Default is modulation ON.


Figure 2.

Modulation Rate

Spread Spectrum clock generators utilize frequency modulation (FM) to distribute energy over a specific band of frequencies. The maximum frequency of the clock (Fmax) and minimum frequency of the clock (Fmin) determine this band of frequencies. The time required to transition from Fmin to Fmax and back to Fmin is the period of the Modulation Rate, Tmod. Modulation Rates of SSCG clocks are generally referred to in terms of frequency or Fmod = 1/Tmod.

The input clock frequency, Fin, and the internal divider count, Cdiv, determine the Modulation Rate. The CY25566 utilizes two different modulation rate dividers, depending on the range selected on S2 and S3 digital control inputs. Refer to the example below.

S3, S2	CDiv	Output Frequency
0,0	1166	1X
0,1	1166	2X
1,0	2332	1X
1,1	N/A	N/A

Example:

Device = CY25566

Fin = 65 MHz

Range = S3 = 0, S2 = 1, S0 = 0

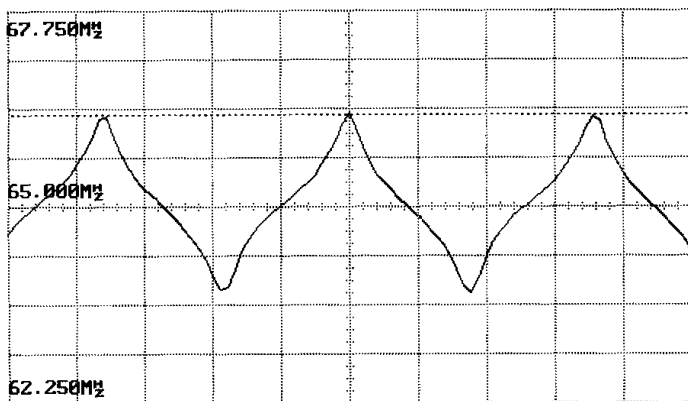
Then: modulation rate = Fmod = 65 MHz/1166 = 55.7 kHz

The CY25566 has three frequency groups to select from. Each combination of frequency and bandwidth can be selected by programming the input control lines, S0–S3, to the proper logic state.

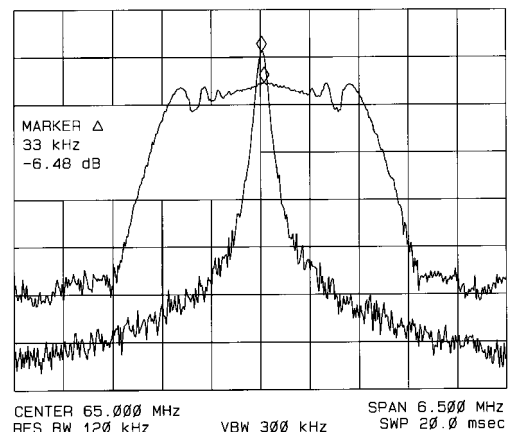
Group 1 is the 1X low-frequency range and operates from 25 to 100 MHz.

Group 2 is the 1X high-frequency range and operates from 50 to 200 MHz.

Group 3 is the 2X low frequency range and operates from 25 to 50 MHz and 50 to 100 MHz output.



Modulation Profile



Spectrum Analyzer

Figure 3. SSCG Clock, CY25566, 65 MHz

Table 1. Frequency and Bandwidth Selection Chart (Group 1)(Low Frequency (1x) Selection Chart)

25–50 MHz (Low Range)					
XIN/CLK (MHz)	S1 = M S0 = M	S1 = M S0 = M	S1 = 1 S0 = 0	S1 = 0 S0 = 0	S1 = 0 S0 = M
25–35	4.3	3.8	3.4	2.9	2.8
35–40	3.9	3.5	3.1	2.5	2.4
40–45	3.7	3.3	2.8	2.4	2.3
45–50	3.4	3.1	2.6	2.2	2.1

S3

S2

←

0	0
---	---

50–100 MHz (High Range)				
XIN/CLK (MHz)	S1 = 1 S0 = M	S1 = 0 S0 = 1	S1 = 1 S0 = 1	S1 = M S0 = 1
50–60	2.9	2.1	1.5	1.2
60–70	2.8	2.0	1.4	1.1
70–80	2.6	1.8	1.3	1.1
80–100	2.4	1.7	1.2	1.0

S3

S2

←

0	0
---	---

Table 2. Frequency and Bandwidth Selection Chart (Group 2)(High Frequency (1x) Selection Chart)

50–100 MHz (Low Range)					
XIN/CLK (MHz)	S1 = M S0 = M	S1 = M S0 = 0	S1 = 1 S0 = 0	S1 = 0 S0 = 0	S1 = 0 S0 = M
50–60	4.2	3.8	3.2	2.8	2.7
60–70	4.0	3.6	3.1	2.6	2.5
70–80	3.8	3.4	2.9	2.5	2.4
80–100	3.5	3.1	2.7	2.2	2.1

S3

S2

←

1	0
---	---

100–200 MHz (High Range)				
XIN/CLK (MHz)	S1 = 1 S0 = M	S1 = 0 S0 = 1	S1 = 1 S0 = 1	S1 = M S0 = 1
100–120	3.0	2.4	1.6	1.3
120–130	2.7	2.1	1.4	1.1
130–140	2.6	2.0	1.3	1.1
140–150	2.6	2.0	1.3	1.1
150–160	2.5	1.8	1.2	1.0
160–170	2.4	1.8	1.2	1.0
170–180	2.4	1.8	1.2	1.0
180–190	2.3	1.7	1.1	0.9
190–200	2.3	1.6	1.1	0.9

S3

S2

←

1	0
---	---

Table 3. Frequency and Bandwidth Selection Chart (Group 3)(Low Frequency (2x) Selection Chart)

25–50 MHz (Low Range, 2X)						
XIN/CLK (MHz)	SSCLK1 (MHz)	S1 = M S0 = M	S1 = M S0 = 0	S1 = 1 S0 = 0	S1 = 0 S0 = 0	S1 = 0 S0 = M
25–35	50-70	4.0	3.5	3.0	2.6	2.5
35–40	70-80	3.8	3.3	2.9	2.4	2.3
40–45	80-90	3.5	3.1	2.7	2.2	2.1
45–50	90-100	3.3	2.9	2.5	2.1	2.0

S3

S2

←

0	1
---	---

Application Schematic

In this example, the CY25566 is being driven by a 75-MHz reference clock.

S0 = 0 and S1 = 0 are programmed to select a BW of 2.5%. (Refer to *Table 1* and 2.)

S2 = 0 and S3 = 1 are programmed to select the Group 2 range.

$V_{DD} = 3.30$ VDC.

SSCLK1a = 75 MHz @ 2.5% center spread modulation.

SSCLK1b = 75 MHz @ 2.5% center spread modulation.

SSCLK 2 = 37.5 MHz @ 2.5% center spread modulation.

REFOUT = 37.5 MHz non-modulated clock.

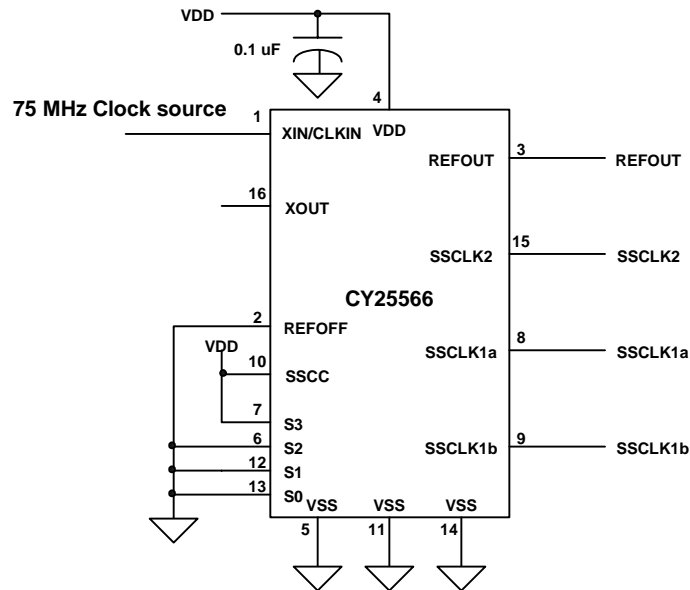


Figure 4. Application Schematic

Absolute Maximum Ratings^[1, 2]

 Supply Voltage (V_{DD}):+6V

Operating Temperature: 0°C to 70°C

Storage Temperature -65°C to +150°C

Table 4. DC Electrical Characteristics $V_{DD} = 3.3V$, Temp. = 25°C, unless otherwise noted

Parameter	Description	Conditions	Min.	Typ.	Max.	Unit
V_{DD}	Power Supply Range	±10%	2.97	3.3	3.63	V
V_{INH}	Input High Voltage	S0 and S1 only.	0.85 V_{DD}	V_{DD}	V_{DD}	V
V_{INM}	Input Middle Voltage	S0 and S1 only.	0.40 V_{DD}	0.50 V_{DD}	0.60 V_{DD}	V
V_{INL}	Input Low Voltage	S0 and S1 only.	0.0	0.0	0.15 V_{DD}	V
V_{OH1}	Output High Voltage	$I_{OH} = 6$ ma, SSCLKa	2.4			V
V_{OH2}	Output High Voltage	$I_{OH} = 20$ ma, SSCLKb	2.0			V
V_{OL1}	Output Low Voltage	$I_{OH} = 6$ ma, SSCLKa			0.4	V
V_{OL2}	Output Low Voltage	$I_{OH} = 20$ ma, SSCLKb			1.2	V
C_{in1}	Input Capacitance	Xin/CLK (Pin 1)	3	4	5	pF
C_{in2}	Input Capacitance	Xout (Pin 8)	6	8	10	pF
C_{in2}	Input Capacitance	All input pins except 1.	3	4	5	pF
I_{DD1}	Power Supply Current	FIN = 40 MHz, 15 pF@all outputs		27	32	mA
I_{DD1}	Power Supply Current	FIN = 40 MHz, No Load		21	28	mA
I_{DD2}	Power Supply Current	FIN = 165 MHz, 15 pF@all outputs		68	80	mA
I_{DD2}	Power Supply Current	FIN = 165 MHz, No Load		48	60	mA

Table 5. Electrical Timing Characteristics $V_{DD} = 3.3V$, T = 25°C and $C_L = 15$ pF, unless otherwise noted. Rise/Fall @ 0.4–2.4V, Duty@1.5V

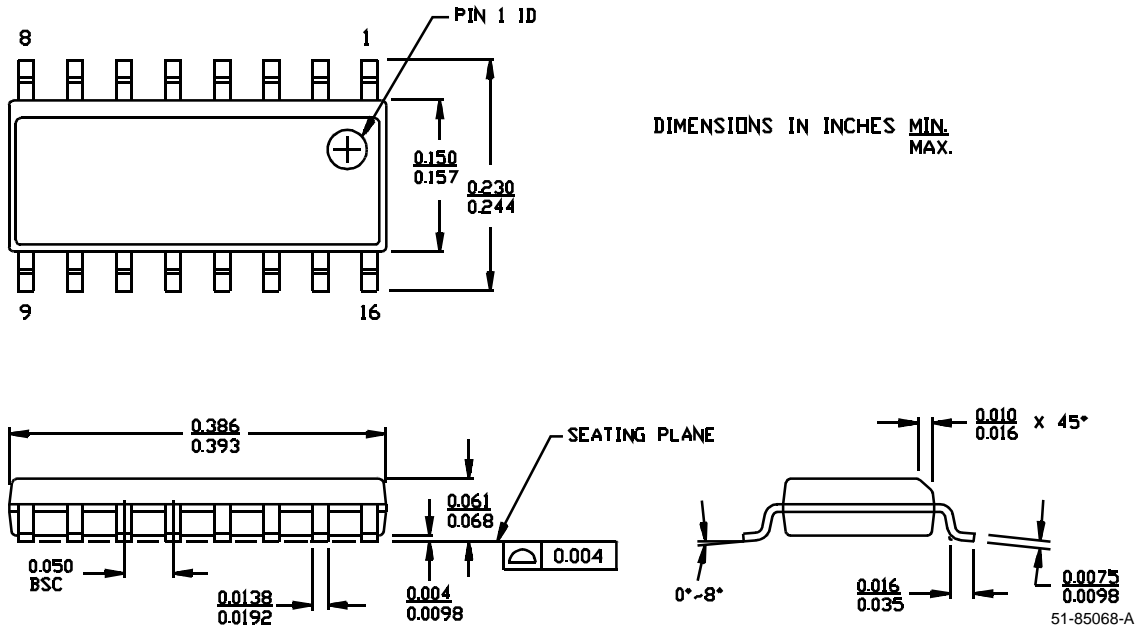
Parameter	Description	Conditions	Min.	Typ.	Max	Unit
f_{CLKFR}	Input Clock Frequency Range	Non-crystal, 3.0V Pk–Pk ext. source	25		200	MHz
$t_{RISE(a)}$	Clock Rise Time	SSCLK1a or SSCLK1b, Freq = 100 MHz	1.0	1.3	1.6	ns
$t_{FALL(a)}$	Clock Fall Time	SSCLK1a or SSCLK1b, Freq = 100 MHz	1.0	1.3	1.6	ns
$t_{RISE(a+b)}$	Clock Rise Time	SSCLK1(a+b), CL = 33 pF, 100 MHz	1.2	1.5	1.8	ns
$t_{FALL(a+b)}$	Clock Fall Time	SSCLK1(a+b), CL = 33 pF, 100 MHz	1.2	1.5	1.8	ns
$t_{RISE(a+b)}$	Clock Rise Time	SSCLK1(a+b), CL = 33 pF, 200 MHz	1.1	1.4	1.7	ns
$t_{FALL(a+b)}$	Clock Fall Time	SSCLK1(a+b), CL = 33 pF, 200 MHz	1.1	1.4	1.7	ns
$t_{RISE(REF)}$	Clock Rise Time	REFOUT, Pin 3, CL = 15 pF, 50 MHz	1.0	1.3	1.6	ns
$t_{FALL(REF)}$	Clock Fall Time	REFOUT, Pin 3, CL = 15 pF, 50 MHz	1.0	1.3	1.6	ns
D_{TYin}	Input Clock Duty Cycle	XIN/CLK (Pin)	30	50	70	%
D_{TYout}	Output Clock Duty Cycle	SSCLK1a/b (Pin 8 and 9)	45	50	55	%
C_{CJ1}	Cycle-to-Cycle Jitter	F = 100 MHz, SSCLK1a/b CL = 33 pF		300	400	ps
C_{CJ2}	Cycle-to-Cycle Jitter	F = 200 MHz, SSCLK1a/b CL = 33 pF		500	600	ps
REFOUT	Refout Frequency Range	CL = 15 pF	25		108	MHz

Note:

1. Operation at any Absolute Maximum Rating is not implied.
2. **Single Power Supply:** The voltage on any input or I/O pin cannot exceed the power pin during power-up.

Ordering Information

Part Number	Package Type	Product Flow
CY25566SC	16-pin SOIC	Commercial, 0° to 70°C
CY25566SCT	16-pin SOIC–Tape and Reel	Commercial, 0° to 70°C

Package Drawing and Dimensions
16-lead (150-mil) Molded SOIC S16


All product and company names mentioned in this document are the trademarks of their respective holders.

Document Title:CY25566 Spread Spectrum Clock Generator Document Number: 38-07429				
Rev.	ECN No.	Issue Date	Orig. of Change	Description of Change
**	115771	07/01/02	OXC	New Data Sheet
*A	122705	12/30/02	RBI	Added power up requirements to maximum ratings information.