



Silicon Germanium CDMA Transmit/Dual PLL RFIC CX74002

Conexant Delivers RF Chipsets for 2G and 3G CDMA Applications

The CX74002 device offers the highest level of integration a tri-mode, dual-band CDMA transmit RFIC. The device is designed to meet the needs of both 2G and 3G CDMA systems. Specifically targeting the cdmaOne, cdma2000, and AMPS markets in the U.S. and Korean cellular, Japan cellular, Korean PCS and U.S. PCS bands. The CX74002 is also designed to be suitable for wideband CDMA (WCDMA) applications in the IMT-2000 band. The device is built using Conexant's advanced silicon germanium (SiGe) bipolar complementary metal oxide semiconductor (BiCMOS) process technology. This process results in best-in-class current consumption performance, hence increasing cellular phone talk time.

The CX74002 is a highly integrated super-heterodyne transmitter (Tx) that incorporates all the active functional blocks up to the antenna: an In-phase and Quadrature (I/Q) modulator that accepts the analog I and Q outputs from the baseband analog processor and converts them to intermediate frequency (IF) signals; a voltage controlled oscillator (VCO) and very high-frequency (VHF) synthesizer to generate the local oscillator (LO) signal for the quadrature demodulators for the cellular and PCS bands; a UHF synthesizer to control the UHF oscillator; and a variable gain amplifier (VGA), which is required in CDMA systems to provide linear variable output power at the antenna.

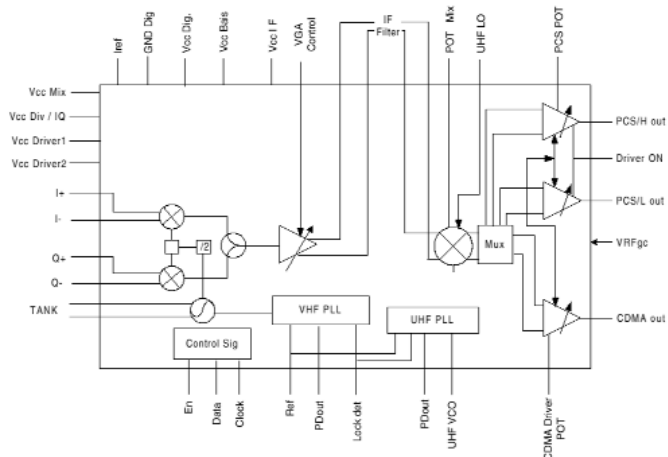
The output of the VGA is fed to the image reject mixer. The output of the image reject mixer is fed directly to the PA pre-driver without the need for external SAW filters, resulting in a reduction of overall cellular phone bill-of-material cost.



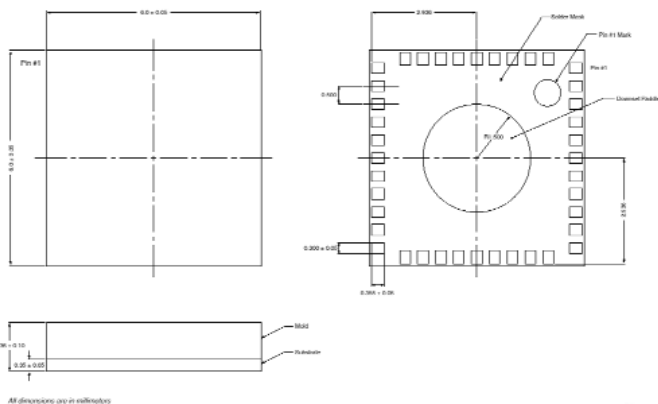
Distinguishing Features

- Best-in-class current consumption
- Tri-mode, dual-band functionality
- I/Q to RF integration
- Image-reject mixer
- Three battery-cell operation ($2.7V < VCC < 3.6V$)
- Split-band PCS drivers to improve Rx Band noise performance
- Tx power control with 90dB dynamic range
- Variable-gain RF block to meet in-band signal-to-noise ratio (SNR)
- 6mm x 6mm land grid array (LGA) chipscale package

The CX74002, along with Conexant's CX74001 receive RFIC, a Conexant power amplifier module, and Conexant's baseband analog processor forms a complete RF subsystem that interfaces with the most common cdma baseband devices.



CX74002 Tx ASIC block diagram



Package dimensions – 40-pin 6mm x 6mm LGA package

Product Features

- Image reject upconverter saves two RF surface acoustic waves (SAWs) filters in dual-band applications
- Driver gain can be changed either by a continuous signal or by a step signal through the driver gain control signal
- 100-800 MHz oscillator (external tank)
- VCO_ON feature to increase the talk time of the radio
- Two separate phase lock loop (PLL) synthesizers
- Dual-loop multiband operation
- Power-save mode for both standby and lower-frequency operation

- Fully programmable PLL dividers
- Selectable charge-pump currents for multi-VCO applications controlled via serial bus interface

Applications

- cdmaOne, cdma2000 and AMPS modes in the following bands:
 - U.S. cellular
 - Japan cellular
 - U.S. PCS
 - Korea PCS
- WCDMA in the IMT-2000 band

Conexant and the Conexant symbol are trademarks of Conexant Systems, Inc.

Further Information

literature@conexant.com
 (800) 854-8099 (North America)
 (949) 483-6996 (International)
 Order # 101066A
 00-0880
 Wireless Communications
 Printed in USA

World Headquarters

Conexant Systems, Inc.
 4311 Jamboree Road
 Newport Beach, CA
 92660-3007
 Phone: (949) 483-4600
 Fax 1: (949) 483-4078
 Fax 2: (949) 483-4391

Americas

U.S. Northwest – Santa Clara
 Phone: (408) 249-9696
 Fax: (408) 249-7113

U.S. Southwest – Los Angeles
 Phone: (805) 376-0559
 Fax: (805) 376-8180

U.S. Southwest – Newport Beach
 Phone: (949) 483-9119
 Fax: (949) 483-9090

U.S. San Diego
 Phone: (858) 713-4730
 Fax: (858) 713-4008

U.S. North Central – Illinois
 Phone: (630) 773-3454
 Fax: (630) 773-3907

U.S. South Central/Mexico – Texas
 Phone: (972) 871-1920
 Fax: (972) 871-8910

U.S. Northeast – Massachusetts
 Phone: (978) 367-3200
 Fax: (978) 256-6868

U.S. Carolinas – North Carolina
 Phone: (919) 858-9110
 Fax: (919) 858-8669

U.S. Southeast/South America – Florida
 Phone: (727) 799-8406
 Fax: (727) 799-8306

U.S. Mid-Atlantic – Pennsylvania
 Phone: (215) 244-6784
 Fax: (215) 244-9292

Canada – Ontario
 Phone: (613) 271-2358
 Fax: (613) 271-2359

Europe

Europe Central – Germany
 Phone: +49 89 829-1320
 Fax: +49 89 834-2734

Europe North – England
 Phone: +44 1344 486444
 Fax: +44 1344 486555

Europe – Israel/Greece
 Phone: +972 9 9524000
 Fax: +972 9 9573732

Europe South – France
 Phone: +33 1 41 44 36 51
 Fax: +33 1 41 44 36 90

Europe Mediterranean – Italy
 Phone: +39 02 93179911
 Fax: +39 02 93179913

Europe – Sweden
 Phone: +46 (0) 8 5091 4319
 Fax: +46 (0) 8 590 041 10

Europe – Finland
 Phone: +358 (0) 9 85 666 435
 Fax: +358 (0) 9 85 666 220

Asia Pacific

Taiwan
 Phone: (886-2) 2-720-0282
 Fax: (886-2) 2-757-6760

Australia
 Phone: (61-2) 9869 4088
 Fax: (61-2) 9869 4077

China – Central
 Phone: 86-21-6361-2515
 Fax: 86-21-6361-2516

China – South
 Phone: (852) 2 827-0181
 Fax: (852) 2 827-6488

China – South (Satellite)
 Phone: (86) 755-5182495
 Fax: (86) 755-5183024

China – North
 Phone: (86-10) 8529-9778
 Fax: (86-10) 8529-9778

India
 Phone: (91-11) 692-4789
 Fax: (91-11) 692-4712

Korea
 Phone: (82-2) 565-2880
 Fax: (82-2) 565-1440

Korea (Satellite)
 Phone: (82-53) 745-2880
 Fax: (82-53) 745-1440

Singapore
 Phone: (65) 737 7355
 Fax: (65) 737 9077

Japan
 Phone: (81-3) 5371 1520
 Fax: (81-3) 5371 1501