

**3V Dual 8-Bit, 20/40/60MSPS A/D Converter with Internal Voltage Reference**

The ISL5640 is a monolithic, dual 8-bit analog-to-digital converter fabricated in an advanced CMOS process. It is designed for high speed applications where integration, bandwidth and accuracy are essential. The ISL5640 features a 9-stage pipeline architecture. The fully pipelined architecture and an innovative input stage enable the ISL5640 to accept a variety of input configurations, single-ended or fully differential. Only one external clock is necessary to drive both converters and an internal band-gap voltage reference is provided. This allows the system designer to realize an increased level of system integration resulting in decreased cost and power dissipation.

The ISL5640 has excellent dynamic performance while consuming less than 100mW power at 40MSPS. The A/D only requires a single +3.0V power supply. Data output latches are provided which present valid data to the output bus with a latency of 5 clock cycles.

The ISL5640 is offered in 20MSPS, 30MSPS, 40MSPS and 60MSPS sampling rates.

**Ordering Information**

PART NUMBER	TEMP. RANGE (°C)	PACKAGE	PKG. NO.	SAMPLING RATE (MSPS)
ISL5640/2IN	-40 to 85	48 Ld LQFP	Q48.7x7	20
ISL5640/3IN	-40 to 85	48 Ld LQFP	Q48.7x7	30
ISL5640/4IN	-40 to 85	48 Ld LQFP	Q48.7x7	40
ISL5640/6IN	-40 to 85	48 Ld LQFP	Q48.7x7	60
ISL5640 EVAL	25	Evaluation Platform		

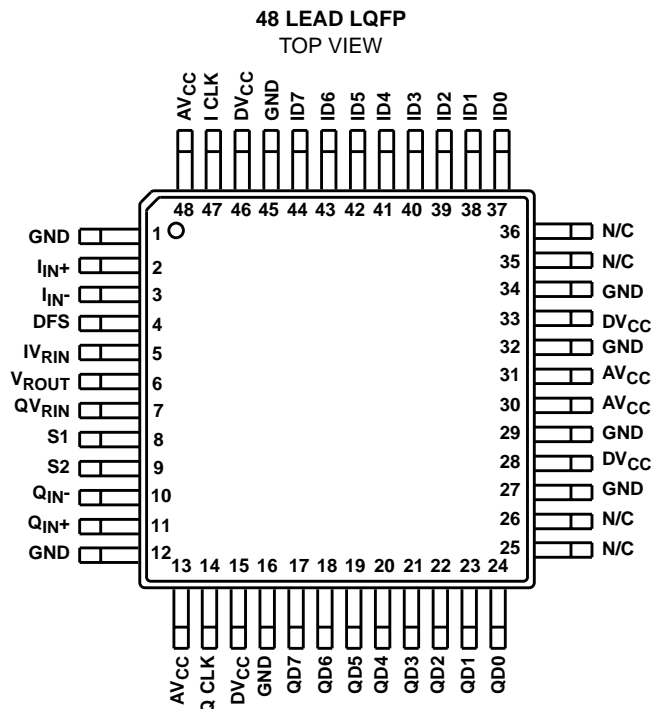
**Features**

- Sampling Rate . . . . . 40MSPS
- 7.4 Bits at  $f_{IN} = 1\text{MHz}$
- Low Power at 40MSPS. . . . . 100mW
- Power Down Mode . . . . . <1mW
- Wide Full Power Input Bandwidth. . . . . 250MHz
- SFDR at  $f_{IN} = 1\text{MHz}$ . . . . . .55dB
- Excellent Channel-to-Channel Isolation . . . . . >75dB
- On-Chip Sample and Hold Amplifiers
- Internal Bandgap Voltage Reference . . . . . 1.25V
- Single Supply Voltage Operation . . . . . +3.0V
- Offset Binary or Two's Complement Output Format
- Dual 8-Bit A/D Converters on a Monolithic Chip
- Pin Compatible Upgrade to AD9288

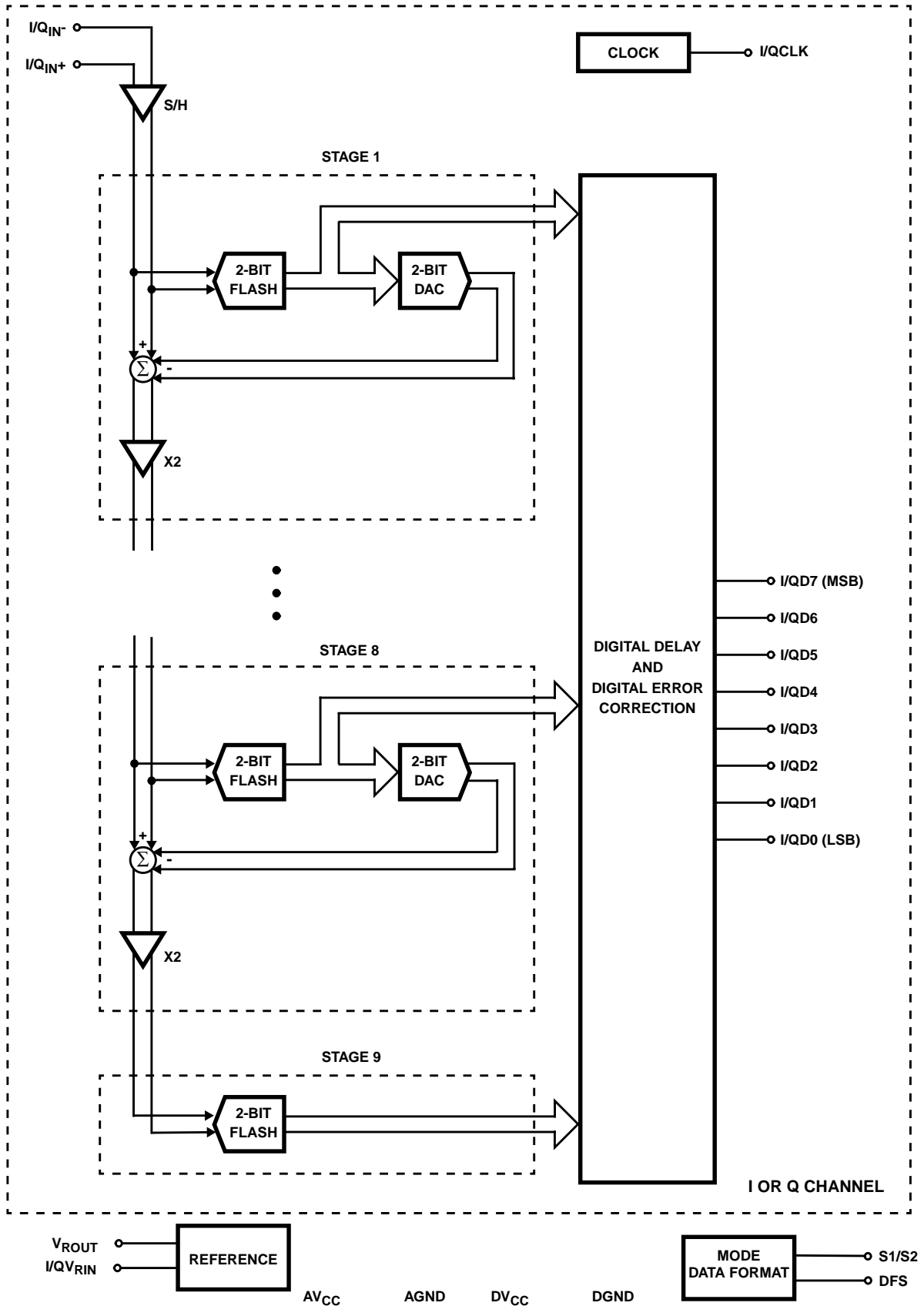
**Applications**

- Wireless Local Loop
- PSK and QAM I&Q Demodulators
- Medical Imaging
- High Speed Data Acquisition

**Pinout**

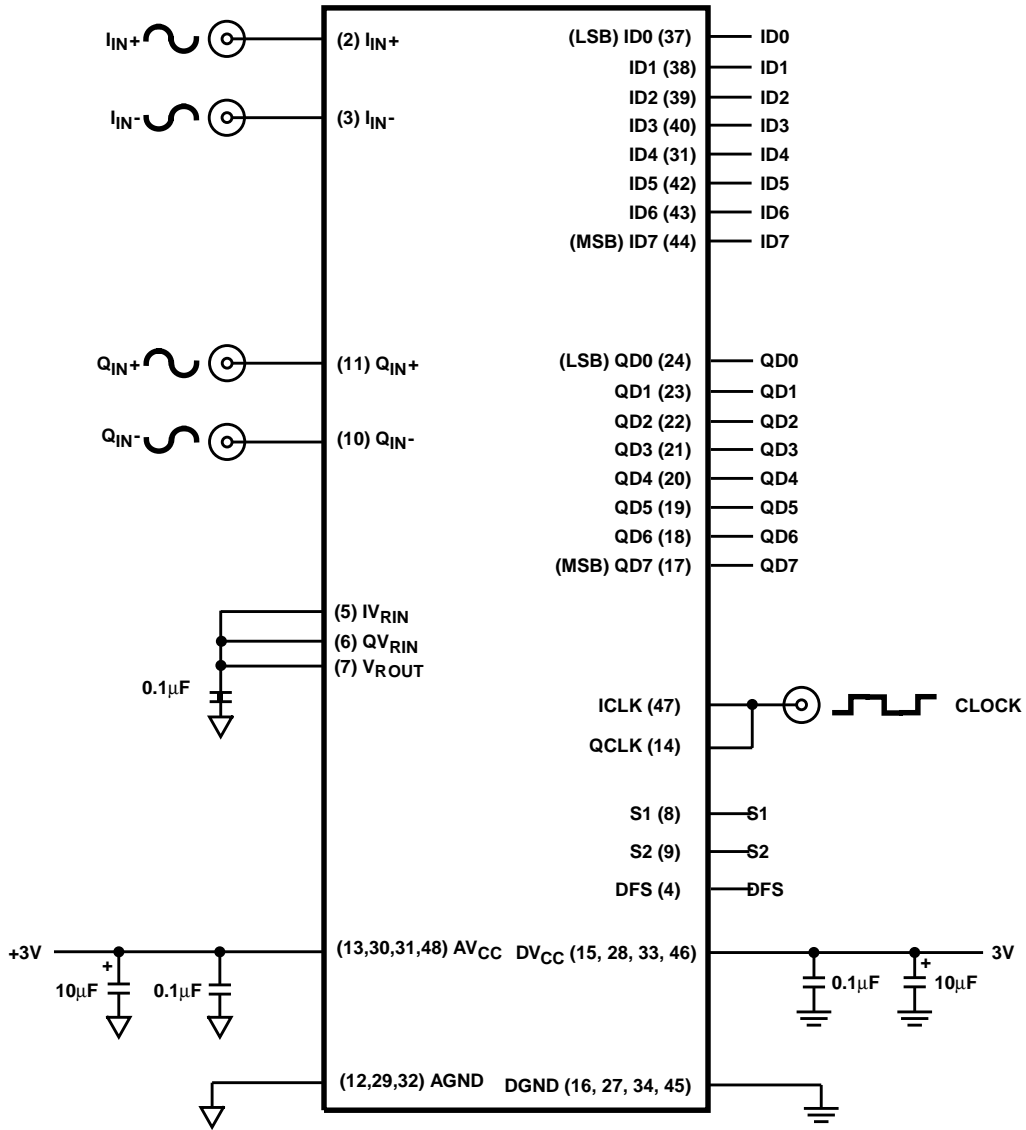




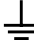
Functional Block Diagram



Typical Application Schematic

ISL5640



BNC AGND DGND  
  

10µF AND 0.1µF CAPS  
 ARE PLACED AS CLOSE  
 TO PART AS POSSIBLE

**Pin Descriptions**

PIN NO.	NAME	DESCRIPTION
1	AGND	Analog Ground
2	I <sub>IN+</sub>	I-Channel Positive Analog Input
3	I <sub>IN-</sub>	I-Channel Negative Analog Input
4	DFS	Data Format Select (Low for Offset Binary and High for Twos Complement Output Format)
5	IV <sub>RIN</sub>	I-Channel Voltage Reference Input
6	V <sub>ROUT</sub>	+1.25V Reference Voltage Output (Decouple with 0.1 $\mu$ F Capacitor)
7	QV <sub>RIN</sub>	Q-Channel Voltage Reference Input
8	S1	Mode Select Pin 1 (See Table)
9	S2	Mode Select Pin 2 (See Table)
10	Q <sub>IN-</sub>	Q-Channel Negative Analog Input
11	Q <sub>IN+</sub>	Q-Channel Positive Analog Input
12	AGND	Analog Ground
13	AV <sub>CC</sub>	Analog Supply
14	QCLK	Q-Channel Clock Input
15	DV <sub>CC</sub>	Digital Supply
16	D <sub>GND</sub>	Digital Ground
17	QD7	Q-Channel, Data Bit 7 Output (MSB)
18	QD6	Q-Channel, Data Bit 6 Output
19	QD5	Q-Channel, Data Bit 5 Output
20	QD4	Q-Channel, Data Bit 4 Output
21	QD3	Q-Channel, Data Bit 3 Output
22	QD2	Q-Channel, Data Bit 2 Output
23	QD1	Q-Channel, Data Bit 1 Output

**Pin Descriptions (Continued)**

PIN NO.	NAME	DESCRIPTION
24	QD0	Q-Channel, Data Bit 0 Output (LSB)
25	N/C	No Connect
26	N/C	No Connect
27	D <sub>GND</sub>	Digital Ground
28	DV <sub>CC</sub>	Digital Supply
29	AGND	Analog Ground
30	AV <sub>CC</sub>	Analog Supply
31	AV <sub>CC</sub>	Analog Supply
32	AGND	Analog Ground
33	DV <sub>CC</sub>	Digital Supply
34	D <sub>GND</sub>	Digital Ground
35	N/C	No Connect
36	N/C	No Connect
37	ID0	I-Channel, Data Bit 0 Output
38	ID1	I-Channel, Data Bit 1 Output
39	ID2	I-Channel, Data Bit 2 Output
40	ID3	I-Channel, Data Bit 3 Output
41	ID4	I-Channel, Data Bit 4 Output
42	ID5	I-Channel, Data Bit 5 Output
43	ID6	I-Channel, Data Bit 6 Output
44	ID7	I-Channel, Data Bit 7 Output (MSB)
45	D <sub>GND</sub>	Digital Ground
46	DV <sub>CC</sub>	Digital Supply
47	ICLK	I-Channel Clock Input
48	AV <sub>CC</sub>	Analog Supply

# ISL5640

## Absolute Maximum Ratings $T_A = 25^\circ\text{C}$

Supply Voltage, $AV_{CC}$ or $DV_{CC}$ to AGND or DGND	.4V
DGND to AGND	0.3V
Digital I/O Pins	DGND to $DV_{CC}$
Analog I/O Pins	AGND to $AV_{CC}$

## Operating Conditions

Temperature Range	-40°C to 85°C
-------------------	---------------

**CAUTION:** Stresses above those listed in "Absolute Maximum Ratings" may cause permanent damage to the device. This is a stress only rating and operation of the device at these or any other conditions above those indicated in the operational sections of this specification is not implied.

## Thermal Information

Thermal Resistance (Typical, Note 1)	$\theta_{JA}$ (°C/W)
ISL5640IN	70
Maximum Junction Temperature	150°C
Maximum Storage Temperature Range	-65°C to 150°C
Maximum Lead Temperature (Soldering 10s)	300°C (Lead Tips Only)

## Electrical Specifications $A_{VDD} = D_{VDD} = +3.3V$ ; $V_{IN} = 1.50V$ ; $f_S = 40\text{MSPS}$ at 50% Duty Cycle; $C_L = 10\text{pF}$ ; $T_A = 25^\circ\text{C}$ ; Unless Otherwise Specified

PARAMETER	TEST CONDITIONS	MIN	TYP	MAX	UNITS
<b>ACCURACY</b>					
Resolution		8	-	-	Bits
Integral Linearity Error, INL	$f_{IN} = 1\text{MHz}$	-	0.5	-	LSB
Differential Linearity Error, DNL (Guaranteed No Missing Codes)	$f_{IN} = 1\text{MHz}$	-	±0.2	±1.0	LSB
Offset Error, $V_{OS}$	$f_{IN} = \text{DC}$	-10	-	+10	LSB
Full Scale Error, FSE	$f_{IN} = \text{DC}$	-	1	-	LSB
<b>DYNAMIC CHARACTERISTICS</b>					
Minimum Conversion Rate	No Missing Codes	-	-	-	MSPS
Maximum Conversion Rate	No Missing Codes	40	-	-	MSPS
Effective Number of Bits, ENOB	$f_{IN} = 1\text{MHz}$	-	7.5	-	Bits
Signal to Noise and Distortion Ratio, SINAD $= \frac{\text{RMS Signal}}{\text{RMS Noise} + \text{Distortion}}$	$f_{IN} = 1\text{MHz}$	-	46	-	dB
Signal to Noise Ratio, SNR $= \frac{\text{RMS Signal}}{\text{RMS Noise}}$	$f_{IN} = 10\text{MHz}$	-	47	-	dB
Total Harmonic Distortion, THD	$f_{IN} = 10\text{MHz}$	-	-53	-	dBc
2nd Harmonic Distortion	$f_{IN} = 10\text{MHz}$	-	-54	-	dBc
3rd Harmonic Distortion	$f_{IN} = 10\text{MHz}$	-	-70	-	dBc
Spurious Free Dynamic Range, SFDR	$f_{IN} = 10\text{MHz}$	-	54	-	dBc
Intermodulation Distortion, IMD	$f_1 = 1\text{MHz}$ , $f_2 = 1.02\text{MHz}$	-	-	-	dBc
I/Q Channel Crosstalk		-	-	-	dBc
I/Q Channel Offset Match		-	-	-	LSB
I/Q Channel Full Scale Error Match		-	-	-	LSB
Transient Response	(Note 2)	-	-	-	Cycle
Over-Voltage Recovery	0.2V Overdrive (Note 2)	-	-	-	Cycle
<b>ANALOG INPUT</b>					
Maximum Peak-to-Peak Single-Ended Analog Input Range		-	1.0	-	V
Analog Input Resistance, $R_{INA}$ or $R_{INB}$	$V_{INA}$ , $V_{INB} = V_{REF}$ , DC	-	-	-	MΩ
Analog Input Capacitance, $C_{INA}$ or $C_{INB}$	$V_{INA}$ , $V_{INB} = 1.5V$ , DC	-	-	-	pF

## ISL5640

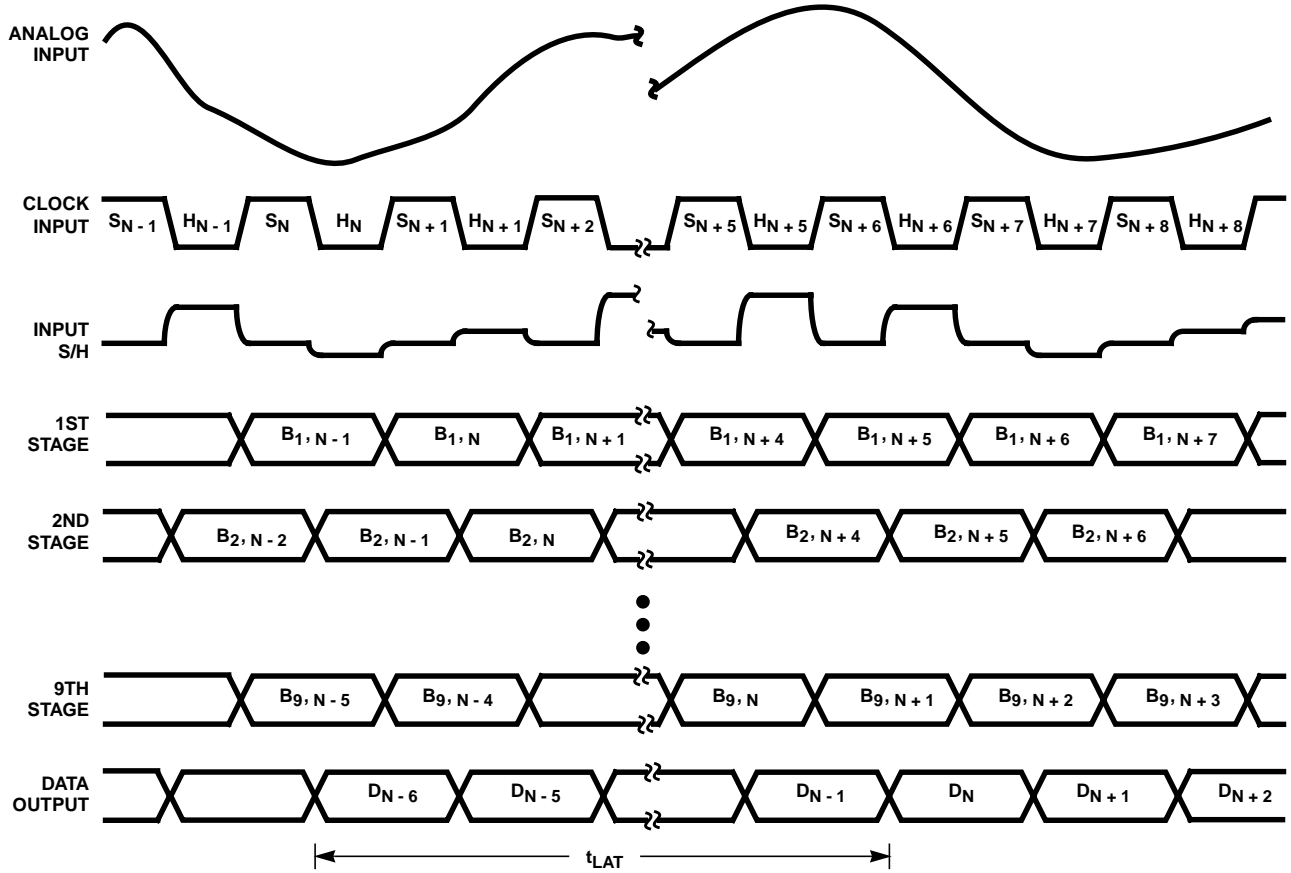
**Electrical Specifications**  $A_{VDD} = D_{VDD} = +3.3V$ ;  $V_{IN} = 1.50V$ ;  $f_S = 40MSPS$  at 50% Duty Cycle;  
 $C_L = 10pF$ ;  $T_A = 25^\circ C$ ; Unless Otherwise Specified **(Continued)**

PARAMETER	TEST CONDITIONS	MIN	TYP	MAX	UNITS
Analog Input Bias Current, $I_{BA}$ or $I_{BB}$	$V_{INA}/V_{INB} = ART/BRT, ARB/BRB, DC$ (Notes 2, 3)	-	-	-	$\mu A$
Full Power Input Bandwidth, FPBW	$f_S = 40MHz$ , (Note 2)	-	250	-	MHz
<b>REFERENCE VOLTAGE INPUT</b>					
Reference Voltage Input Range		-	-	-	V
Total Reference Resistance, $R_{RIN}$		-	300	-	$\Omega$
Reference Current, $I_{RIN}$		-	-	-	mA
<b>SAMPLING CLOCK INPUT</b>					
Input Logic High Voltage, $V_{IH}$	CLK	2.0	-	-	V
Input Logic Low Voltage, $V_{IL}$	CLK	-	-	0.8	V
Input Logic High Current, $I_{IH}$	CLK, $V_{IH} = 3.3V$	-	-	-	$\mu A$
Input Logic Low Current, $I_{IL}$	CLK, $V_{IL} = 0V$	-	-	-	$\mu A$
Input Capacitance, $C_{IN}$	CLK	-	-	-	pF
<b>DIGITAL OUTPUTS</b>					
Output Logic High Voltage, $V_{OH}$	$I_{OH} = 100\mu A$ ; $D_{VDD} = 3.3V$	-	-	-	V
Output Logic Low Voltage, $V_{OL}$	$I_{OL} = 1.5mA$ ; $D_{VDD} = 3.3V$	-	-	-	V
Output Logic High Voltage, $V_{OH}$	$I_{OH} = 100\mu A$ ; $D_{VDD} = 3.0V$	-	-	-	V
Output Logic Low Voltage, $V_{OL}$	$I_{OL} = 100\mu A$ ; $D_{VDD} = 3.0V$	-	-	-	V
Output Capacitance, $C_{OUT}$		-	-	-	pF
<b>TIMING CHARACTERISTICS</b>					
Aperture Delay, $t_{AP}$		-	4	-	ns
Aperture Jitter, $t_{AJ}$		-	5	-	pSRMS
Data Output Hold, $t_H$		-	10.7	-	ns
Data Output Delay, $t_{OD}$		-	11.7	-	ns
Data Latency, $t_{LAT}$	For a Valid Sample (Note 2)	-	5	-	Cycles
Power-Up Initialization	Data Invalid Time (Note 2)	-	-	-	Cycles
Sample Clock Pulse Width (Low)	(Note 2)	11.25	12.5	-	ns
Sample Clock Pulse Width (High)	(Note 2)	11.25	12.5	-	ns
Sample Clock Duty Cycle Variation		-	$\pm 5$	-	%
<b>POWER SUPPLY CHARACTERISTICS</b>					
Analog Supply Voltage, $A_{VDD}$	(Note 2)	3.0	3.3	3.6	V
Digital Supply Voltage, $D_{VDD}$	(Note 2)	3.0	3.3	3.6	V
Supply Current, $I_{DD}$	$f_S = 40MSPS$	-	30.3	-	mA
Power Dissipation		-	100	110	mW
Offset Error Sensitivity, $\Delta V_{OS}$	$A_{VDD}$ or $D_{VDD} = 3.3V \pm 5\%$	-	$\pm 0.125$	-	LSB
Gain Error Sensitivity, $\Delta FSE$	$A_{VDD}$ or $D_{VDD} = 3.3V \pm 5\%$	-	$\pm 0.15$	-	LSB

**NOTES:**

1. Parameter guaranteed by design or characterization and not production tested.
2. With the clock low and DC input.

Timing Waveforms



NOTES:

3.  $S_N$ : N-th sampling period.
4.  $H_N$ : N-th holding period.
5.  $B_{M,N}$ : M-th stage digital output corresponding to N-th sampled input.
6.  $D_N$ : Final data output corresponding to N-th sampled input.

FIGURE 1. ISL5640 INTERNAL CIRCUIT TIMING

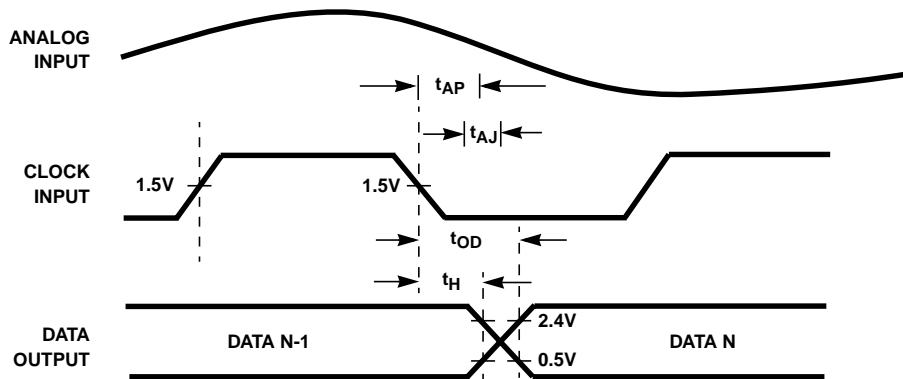


FIGURE 2. ISL5640 INPUT TO OUTPUT TIMING

TABLE 1. A/D CODE TABLE

CODE CENTER DESCRIPTION	DIFFERENTIAL INPUT VOLTAGE ( $I/Q_{IN+} - I/Q_{IN-}$ )	OFFSET BINARY OUTPUT CODE									
		MSB									LSB
		I/QD9	I/QD8	I/QD7	I/QD6	I/QD5	I/QD4	I/QD3	I/QD2	I/QD1	I/QD0
+Full Scale ( $+f_S - 1/4$ LSB)	0.499756V	1	1	1	1	1	1	1	1	1	1
$+f_S - 1/4$ LSB	0.498779V	1	1	1	1	1	1	1	1	1	0
$+3/4$ LSB	732.422 $\mu$ V	1	0	0	0	0	0	0	0	0	0
$-1/4$ LSB	-244.141 $\mu$ V	0	1	1	1	1	1	1	1	1	1
$-f_S + 1/4$ LSB	-0.498291V	0	0	0	0	0	0	0	0	0	1
-Full Scale ( $-f_S + 3/4$ LSB)	-0.499268V	0	0	0	0	0	0	0	0	0	0

NOTE:

7. The voltages listed above represent the ideal center of each output code shown with  $V_{REFIN} = +1.25V$ .

## Detailed Description

### Theory of Operation

The ISL5640 is a dual 8-bit fully differential sampling pipeline A/D converter with digital error correction logic. Figure 15 depicts the circuit for the front end differential-in-differential-out sample-and-hold (S/H) amplifiers. The switches are controlled by an internal sampling clock which is a non-overlapping two phase signal,  $\Phi_1$  and  $\Phi_2$ , derived from the master sampling clock. During the sampling phase,  $\Phi_1$ , the input signal is applied to the sampling capacitors,  $C_S$ . At the same time the holding capacitors,  $C_H$ , are discharged to analog ground. At the falling edge of  $\Phi_1$  the input signal is sampled on the bottom plates of the sampling capacitors. In the next clock phase,  $\Phi_2$ , the two bottom plates of the sampling capacitors are connected together and the holding capacitors are switched to the op amp output nodes. The charge then redistributes between  $C_S$  and  $C_H$  completing one sample-and-hold cycle. The front end sample-and-hold output is a fully-differential, sampled-data representation of the analog input. The circuit not only performs the sample-and-hold function but will also convert a single-ended input to a fully-differential output for the converter core. During the sampling phase, the  $I/Q_{IN}$  pins see only the on-resistance of a switch and  $C_S$ . The relatively small values of these components result in a typical full power input bandwidth of 400MHz for the converter.

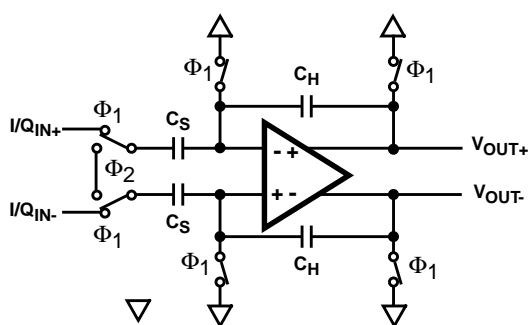


FIGURE 3. ANALOG INPUT SAMPLE-AND-HOLD

As illustrated in the Functional Block Diagram and the timing diagram in Figure 1, eight identical pipeline subconverter stages, each containing a two-bit flash converter and a two-bit multiplying digital-to-analog converter, follow the S/H circuit with the ninth stage being a two bit flash converter. Each converter stage in the pipeline will be sampling in one phase and amplifying in the other clock phase. Each individual subconverter clock signal is offset by 180 degrees from the previous stage clock signal resulting in alternate stages in the pipeline performing the same operation.

The output of each of the eight identical two-bit subconverter stages is a two-bit digital word containing a supplementary bit to be used by the digital error correction logic. The output of each subconverter stage is input to a digital delay line which is controlled by the internal sampling clock. The function of the digital delay line is to time align the digital outputs of the eight identical two-bit subconverter stages with the corresponding output of the ninth stage flash converter before applying the eighteen bit result to the digital error correction logic. The digital error correction logic uses the supplementary bits to correct any error that may exist before generating the final ten bit digital data output of the converter.

Because of the pipeline nature of this converter, the digital data representing an analog input sample is output to the digital data bus following the 6th cycle of the clock after the



analog sample is taken (see the timing diagram in Figure 1). This time delay is specified as the data latency. After the data latency time, the digital data representing each succeeding analog sample is output during the following clock cycle. The digital output data is provided in offset binary format (see Table 1, A/D Code Table).

### Internal Reference Voltage Output, $V_{ROUT}$

The ISL5640 is equipped with an internal 1.25V bandgap reference voltage generator, therefore, no external reference voltage is required.  $V_{ROUT}$  should be connected to  $V_{RIN}$  when using the internal reference voltage. An external, user-supplied, 0.1 $\mu$ F capacitor may be connected from the  $V_{ROUT}$  output pin to filter any stray board noise.

### Reference Voltage Inputs, $I/Q V_{REFIN}$

The ISL5640 is designed to accept a 1.25V reference voltage source at the  $V_{RIN}$  input pins for the I and Q channels. Typical operation of the converter requires  $V_{RIN}$  to be set at 1.25V. The ISL5640 is tested with  $V_{RIN}$  connected to  $V_{ROUT}$  yielding a fully differential analog input voltage range of  $\pm 0.5V$ .

The user does have the option of supplying an external 1.25V reference voltage. As a result of the high input impedance presented at the  $V_{RIN}$  input pin, M $\Omega$  typically, the external reference voltage being used is only required to source small amount of reference input current.

In order to minimize overall converter noise it is recommended that adequate high frequency decoupling be provided at the reference voltage input pin,  $V_{RIN}$ .

### Analog Input, Differential Connection

The analog input of the ISL5640 is a differential input that can be configured in various ways depending on the signal source and the required level of performance. A fully differential connection (Figure 16 and Figure 17) will deliver the best performance from the converter.

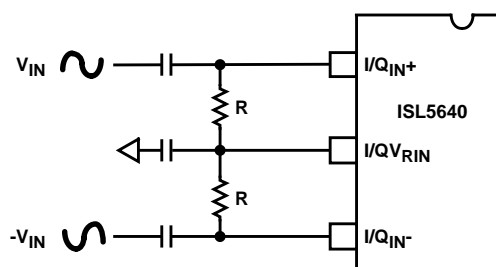


FIGURE 4. AC COUPLED DIFFERENTIAL INPUT

Since the ISL5640 is powered by a single +3V analog supply, the analog input is limited to be between ground and +3V. For the differential input connection this implies the analog input common mode voltage can range from 0.25V to 2.75V. The performance of the ADC does not change

significantly with the value of the analog input common mode voltage.

For the AC coupled differential input (Figure 16) and with  $V_{RIN}$  connected to  $V_{ROUT}$ , full scale is achieved when the  $V_{IN}$  and  $-V_{IN}$  input signals are 0.5V<sub>P-P</sub>, with  $-V_{IN}$  being 180 degrees out of phase with  $V_{IN}$ . The converter will be at positive full scale when the  $I/Q_{IN+}$  input is at  $I/Q_{V_{RIN}} + 0.25V$  and the  $I/Q_{IN-}$  input is at  $I/Q_{V_{RIN}} - 0.25V$  ( $I/Q_{IN+} - I/Q_{IN-} = +0.5V$ ). Conversely, the converter will be at negative full scale when the  $I/Q_{IN+}$  input is equal to  $I/Q_{V_{RIN}} - 0.25V$  and  $I/Q_{IN-}$  is at  $I/Q_{V_{RIN}} + 0.25V$  ( $I/Q_{IN+} - I/Q_{IN-} = -0.5V$ ).

The analog input can be DC coupled (Figure 17) as long as the inputs are within the analog input common mode voltage range ( $0.25V \leq V_{DC} \leq 2.75V$ ).

The resistors, R, in Figure 17 are not absolutely necessary but may be used as load setting resistors. A capacitor, C, connected from  $I/Q_{IN+}$  to  $I/Q_{IN-}$  will help filter any high frequency noise on the inputs, also improving performance. Values around 20pF are sufficient and can be used on AC coupled inputs as well. Note, however, that the value of capacitor C chosen must take into account the highest frequency component of the analog input signal.

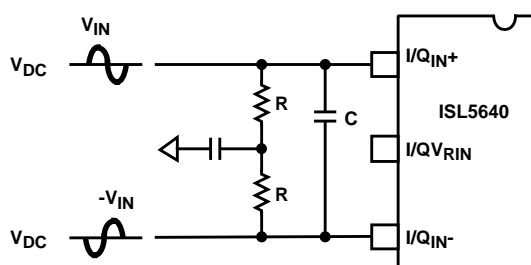


FIGURE 5. DC COUPLED DIFFERENTIAL INPUT

### Analog Input, Single-Ended Connection

The configuration shown in Figure 18 may be used with a single ended AC coupled input.

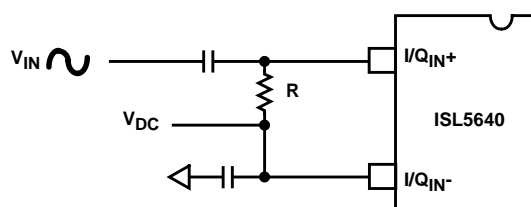


FIGURE 6. AC COUPLED SINGLE ENDED INPUT

Again, with  $V_{RIN}$  connected to  $V_{ROUT}$ , if  $V_{IN}$  is a 1V<sub>P-P</sub> sinewave, then  $I/Q_{IN+}$  is a 1.0V<sub>P-P</sub> sinewave riding on a positive voltage equal to  $V_{DC}$ . The converter will be at positive full scale when  $I/Q_{IN+}$  is at  $V_{DC} + 0.5V$  ( $I/Q_{IN+} -$

$I/Q_{IN-} = +0.5V$ ) and will be at negative full scale when  $I/Q_{IN+}$  is equal to  $V_{DC} - 0.5V$  ( $I/Q_{IN+} - I/Q_{IN-} = -0.5V$ ). Sufficient headroom must be provided such that the input voltage never goes above +3V or below AGND. In this case,  $V_{DC}$  could range between 0.5V and 2.5V without a significant change in ADC performance. The simplest way to produce  $V_{DC}$  is to use the  $I/Q_{VRIN}$  bias source,  $I/Q_{V_{DC}}$ , output of the ISL5640.

The single ended analog input can be DC coupled (Figure 19) as long as the input is within the analog input common mode voltage range.

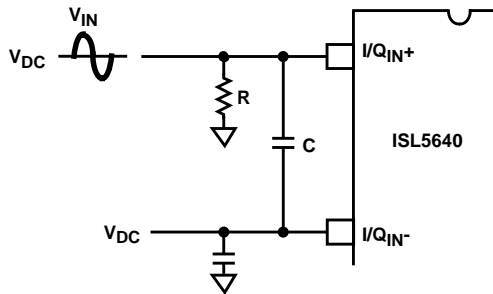


FIGURE 7. DC COUPLED SINGLE ENDED INPUT

The resistor, R, in Figure 19 is not absolutely necessary but may be used as a load setting resistor. A capacitor, C, connected from  $I/Q_{IN+}$  to  $I/Q_{IN-}$  will help filter any high frequency noise on the inputs, also improving performance. Values around 20pF are sufficient and can be used on AC coupled inputs as well. Note, however, that the value of capacitor C chosen must take into account the highest frequency component of the analog input signal.

A single ended source may give better overall system performance if it is first converted to differential before driving the ISL5640.

### Operational Mode

The ISL5640 contains several operational modes including a normal two channel operation, placing one or both channels in standby and delaying the Q channel data 1/2 clock cycle. The operational mode is selected via the S1 and S2 pins and is asynchronous to either clock. When either channel is placed in standby, the output data is stalled and not high impedance. When recovering from standby, valid data is available after 20 clock cycles.

The delay mode can be used to set the Q channel 180 degrees out phase of the I channel if the same clock is driving both channels. If separate, inverted clocks are used for the I and Q channels, this feature can be used to align the data.

### OPERATIONAL MODES

S1	S2	MODE
0	0	Standby I and Q Channels.
0	1	I channel operates normally with Q Channel in standby mode.
1	0	I and Q Channels operating with I/Q output data in phase.
1	1	I and Q Channels operating with Q data 180 degrees out of phase.

### Sampling Clock Requirements

The ISL5640 sampling clock input provides a standard high-speed interface to external TTL/CMOS logic families.

In order to ensure rated performance of the ISL5640, the duty cycle of the clock should be held at  $50\% \pm 5\%$ . It must also have low jitter and operate at standard TTL/CMOS levels.

Performance of the ISL5640 will only be guaranteed at conversion rates above 1MSPS (Typ). This ensures proper performance of the internal dynamic circuits. Similarly, when power is first applied to the converter, a maximum of 20 cycles at a sample rate above 1MSPS must be performed before valid data is available.

### Supply and Ground Considerations

The ISL5640 has separate analog and digital supply and ground pins to keep digital noise out of the analog signal path. The part should be mounted on a board that provides separate low impedance connections for the analog and digital supplies and grounds. For best performance, the supplies to the ISL5640 should be driven by clean, linear regulated supplies. The board should also have good high frequency decoupling capacitors mounted as close as possible to the converter. If the part is powered off a single supply then the analog supply can be isolated by a ferrite bead from the digital supply.

Refer to the application note "Using Intersil High Speed A/D Converters" (AN9214) for additional considerations when using high speed converters.

All Intersil semiconductor products are manufactured, assembled and tested under **ISO9000** quality systems certification.

*Intersil semiconductor products are sold by description only. Intersil Corporation reserves the right to make changes in circuit design and/or specifications at any time without notice. Accordingly, the reader is cautioned to verify that data sheets are current before placing orders. Information furnished by Intersil is believed to be accurate and reliable. However, no responsibility is assumed by Intersil or its subsidiaries for its use; nor for any infringements of patents or other rights of third parties which may result from its use. No license is granted by implication or otherwise under any patent or patent rights of Intersil or its subsidiaries.*

For information regarding Intersil Corporation and its products, see web site **www.intersil.com**

### **Sales Office Headquarters**

#### **NORTH AMERICA**

Intersil Corporation  
P. O. Box 883, Mail Stop 53-204  
Melbourne, FL 32902  
TEL: (321) 724-7000  
FAX: (321) 724-7240

#### **EUROPE**

Intersil SA  
Mercure Center  
100, Rue de la Fusee  
1130 Brussels, Belgium  
TEL: (32) 2.724.2111  
FAX: (32) 2.724.22.05

#### **ASIA**

Intersil Ltd.  
8F-2, 96, Sec. 1, Chien-kuo North,  
Taipei, Taiwan 104  
Republic of China  
TEL: 886-2-2515-8508  
FAX: 886-2-2515-8369