

**Low-Power CMOS
 ALARM IC
 with Horn Driver**

The MC14600 Alarm IC is designed to simplify the process of interfacing an alarm level voltage condition to a piezoelectric horn and/or LED. With an extremely low average current requirement and an integrated low battery detect feature, the part is ideally suited to battery operated applications. The MC14600 is easily configured with a minimum number of external components to serve a wide range of applications and circuit configurations. Typical applications include intrusion alarms, moisture or water ingress alarms, and personal safety devices.

- High Impedance, FET Input Comparator
- Comparator Outputs for Low Battery and Alarm Detect
- Alarm Detect Threshold Easily Established with 2 Resistor
- Integrated Oscillator and Piezoelectric Horn Driver
- Low Battery Trip Point Set Internally (Altered Externally)
- Horn “Chirp” During Low Battery Condition
- Pulsed LED Drive Output
- Reverse Battery Protection
- Input Protection Diodes on the Detect Input
- Average Supply Current: 9 μ A

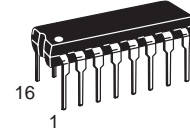
MAXIMUM RATINGS* (Voltages referenced to V_{SS})

Rating	Symbol	Value	Unit
DC Supply Voltage	V_{DD}	- 0.5 to + 15	V
Input Voltage, All Inputs Except Pin 8	V_{in}	- 0.25 to $V_{DD} + 0.25$	V
DC Current Drain per Input Pin, Except Pin 15 = 1 mA	I	10	mA
DC Current Drain per Output Pin	I	30	mA
Operating Temperature Range	T_A	- 10 to + 60°C	°C
Storage Temperature Range	T_{stg}	- 55 to + 125	°C
Reverse Battery Time	t_{RB}	5.0	s

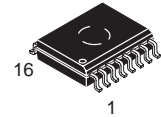
* Maximum Ratings are those values beyond which damage to the device may occur.

This device contains circuitry to protect the inputs against damage due to high static voltages or electric fields; however, it is advised that normal precautions be taken to avoid application of any voltage higher than maximum rated voltages to this high impedance circuit. For proper operation it is recommended that V_{in} and V_{out} be constrained to the range $V_{SS} \leq (V_{in} \text{ or } V_{out}) \leq V_{DD}$.

MC14600



**P SUFFIX
 PLASTIC DIP
 CASE 648-08**

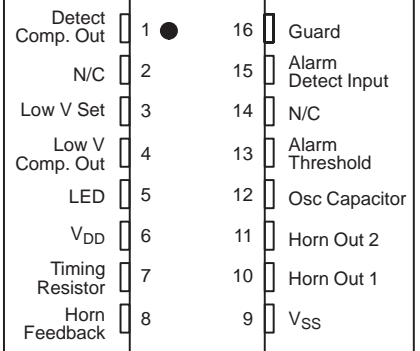


**DW SUFFIX
 SOIC PACKAGE
 CASE 751G-03**

ORDERING INFORMATION

MC14600P	PLASTIC DIP
MC14600DW	SOIC
MC14600DWR2	SOIC TAPE & REEL

**PIN ASSIGNMENT
 (16 PIN DIP)**



RECOMMENDED OPERATING CONDITIONS (Voltages referenced to V_{SS})

Parameter	Symbol	Value	Unit
Supply Voltage	V_{DD}	9.0	V
LED (Pin 5) Load	—	10	mA

ELECTRICAL CHARACTERISTICS (Voltages referenced to V_{SS} , $T_A = 25^\circ\text{C}$)

Characteristic	Pin #	Symbol	V_{DD} V_{dc}	Min	Typ	Max	Unit
Operating Voltage	6	V_{DD}	—	6.0	—	12	V
Output Voltage		V_{OH}					V
Piezoelectric Horn Drivers ($I_{OH} = +16$ mA)	10,11		7.4	6.5	—	—	
Comparators ($I_{OH} = +30$ μA)	4		9.0	8.5	8.8	—	
Piezoelectric Horn Drivers ($I_{OL} = -16$ mA)	10,11	V_{OL}	7.4	—	—	0.9	V
Comparators ($I_{OL} = -30$ μA)	4		9.0	—	0.1	0.5	
($I_{OL} = -200$ μA)	1		—	—	—	0.5	
Output Voltage — LED Driver, $I_{OL} = 10$ mA	5	V_{OL}	7.2	—	—	2.0	V
Output Impedance, Active Guard	16	Hi-Z	9.0	—	—	1000	k Ω
Standby Current ($R_{bias} = 8.2$ M Ω)	—	I_{DD}	9.0 12.0	— —	5.0 —	9.0 12.0	μA
Input Leakage Current	1 8 13	— I_{in} —	9.0 9.0 9.0	— — —	— — —	± 30 ± 0.1 ± 30	nA μA nA
Detect Comp. Out	1	— —	— —	2.50 —	— —	— 8.00	mA mA
$V = 3$ V							
$V = 9$ V							
Low Battery Threshold Voltage (Pin 3 open)	6	V_{low}	9.0	7.2	—	7.8	V
Offset Voltage (measured at $V_{in} = V_{DD}/2$)		V_{OS}					mV
Active Guard	16		9.0	—	—	± 100	
Detect Comparator	13,15		9.0	—	—	± 50	
Input Voltage Range	8	V_{in}	—	$V_{SS} - 10$	—	$V_{DD} + 10$	V
Input Capacitance (to V_{SS} @ 1 kHz)	15	C_{in}	—	—	5.0	—	pF
Common Mode Voltage Range	13,15	V_{cm}	—	1.5	—	$V_{DD} - 2$	V
Breakdown Voltage	All pins except 15	—	—	± 500	—	—	V
Human Body Models per MIL-STD-883 Method 3015	15	—	—	± 400	—	—	

Data labelled "Typ" is not to be used for design purposes but is intended as an indication of the IC's potential performance.

TIMING PARAMETERS (Cosc = 0.1 μF, Rbias = 8.2 MΩ, VDD = 9.0 V, TA = 25°C, See Figure 2)

Characteristics		Pin #	Symbol	Min	Max	Units
Oscillator Period (1 Clock Cycle = 1 Oscillator Period)	No Alarm	12	t _{Cl}	1.25	2.25	s
	Alarm		—	30	52	ms
Oscillator Pulse Width (No Alarm and Alarm Condition)		3,4,5,13	t _r	7.0	13	ms
LED Output Period	No Alarm	5	t _{LED}	30	52	s
	Alarm		—	.71	1.25	ms
Alarm Horn Output	Hi Time	10,11	t _{on}	120	208	ms
	Low Time		t _{off}	60	104	ms
Low Battery Horn Output	Hi Time	10,11	t _{on}	7.0	13	ms
	Between Pulses		t _{off}	30	52	s

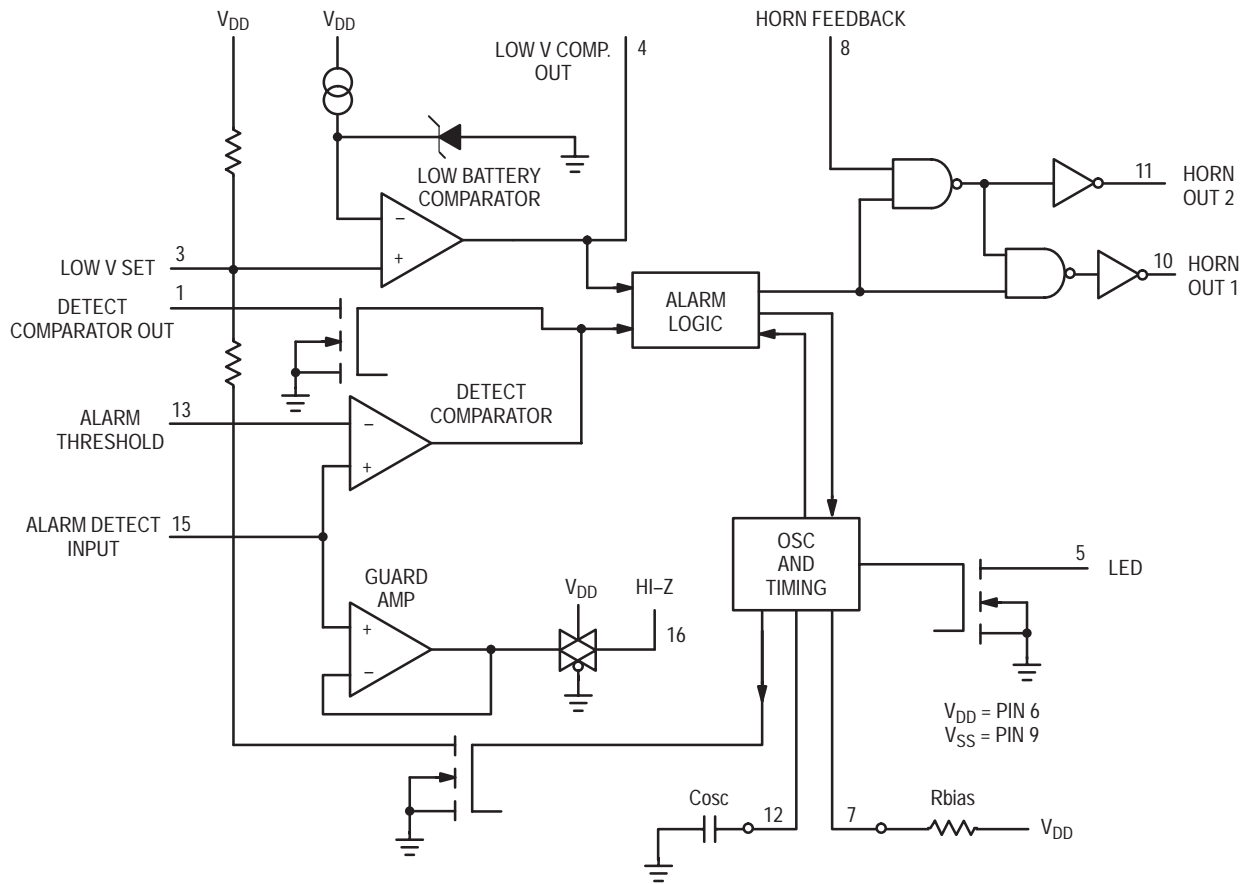


Figure 1. Block Diagram

DEVICE OPERATION

TIMING

The internal oscillator of the MC14600 operates with a period of 1.65 seconds during no-alarm conditions. Each 1.65 seconds, internal power is applied to the entire IC and a check is made for an alarm input level except during LED pulse, Low Battery Alarm Chirp, or Horn Modulation (in alarm). Every 24 clock cycles a check is made for low battery by comparing V_{DD} to an internal zener voltage. Since very small currents are used in the oscillator, the oscillator capacitor should be of a low leakage type.

DETECT CIRCUITRY

If an alarm condition is detected, the oscillator period becomes 41.67 ms and the piezoelectric horn oscillator circuit is enabled. The horn output is modulated 167 ms on, 83 ms off. During the off time, alarm detect input (Pin 15) is again checked and will inhibit further horn output if no alarm condition is sensed. During alarm conditions the low battery chirp is inhibited, and the LED pulses at a 1.0 Hz rate.

An active guard is provided on a pin adjacent to the detect input (Pin 16). The voltage at this pin will be within 100 mV of the input signal. Pin 16 will allow monitoring of the input signal at pin 15 through a buffer. The active guard op amp is not

power strobed and thus gives constant protection from surface leakage currents. Pin 15 (the Detect input) has internal diode protection against static damage.

LOW BATTERY THRESHOLD

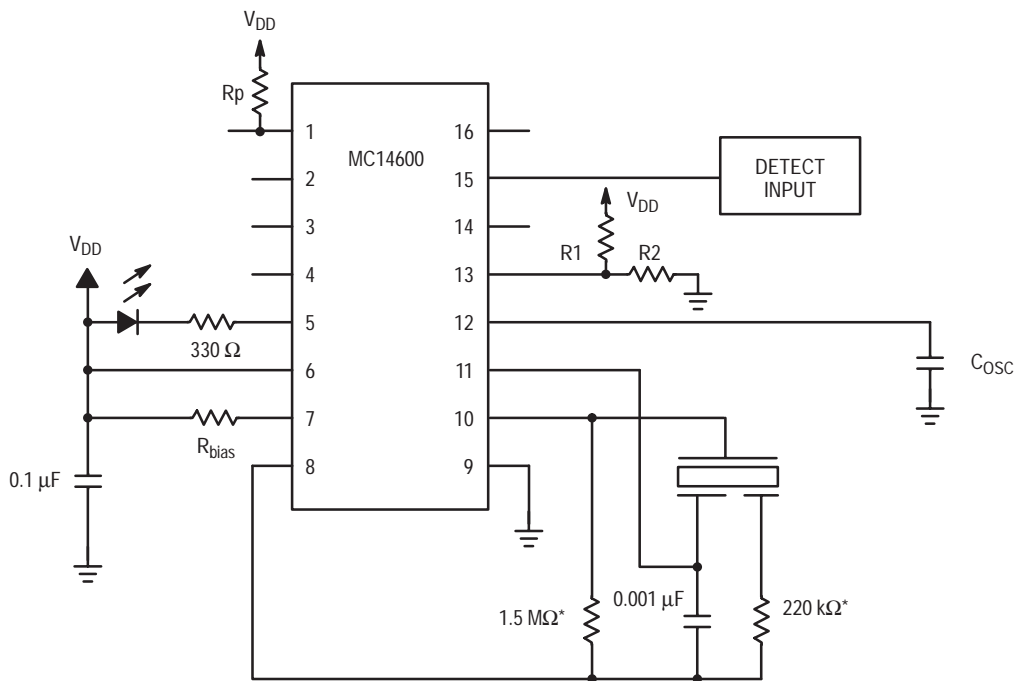
The low battery voltage level is set internally by a voltage divider connected between V_{DD} and V_{SS} . This voltage can be altered by external resistors connected from pin 3 to either V_{DD} or V_{SS} . A resistor to V_{DD} will decrease the threshold while a resistor to GND will increase it.

ALARM THRESHOLD (SENSITIVITY)

The alarm condition voltage level is set externally through Pin 13. A voltage divider can be used to set the alarm trip point. Pin 13 is connected internally to the negative input of the detect comparator.

LED PULSE

The 9-volt battery level is checked every 40 seconds during the LED pulse. The battery is loaded via a 10 mA pulse for 10 ms. If the LED is not used, it should be replaced with an equivalent resistor so that the battery loading remains at 10 mA.



*NOTE: Component values may change depending on type of piezoelectric horn used.

Figure 2. Typical Application Components

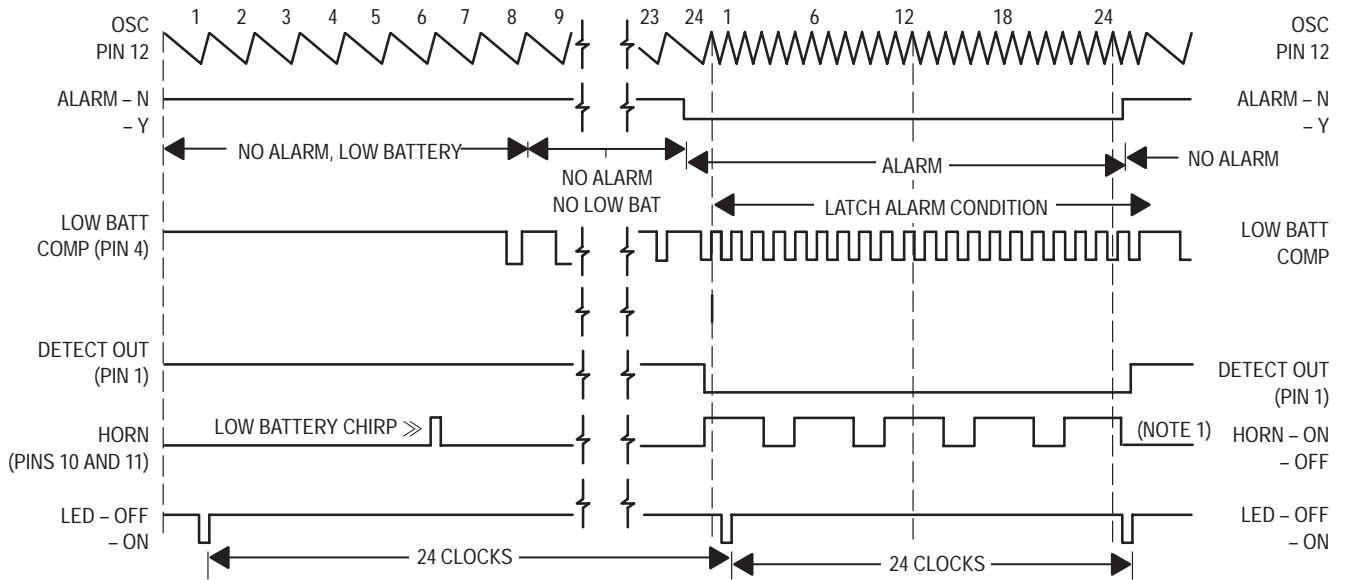
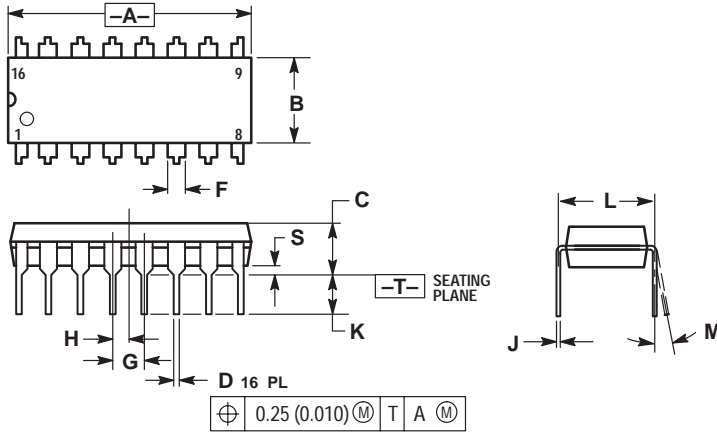


Figure 3. MC14600 Timing Diagram

NOTES:

1. Horn modulation is self-completing. When going from Alarm to No Alarm, the alarm condition will terminate only when horn is off.
2. Comparators are strobed once per cycle.
3. Low battery comparator information is latched only during LED pulse.
4. Current source required into Pin 1.
5. Alarm Condition can initiate on any clock pulse except 1 and 7.

PACKAGE DIMENSIONS

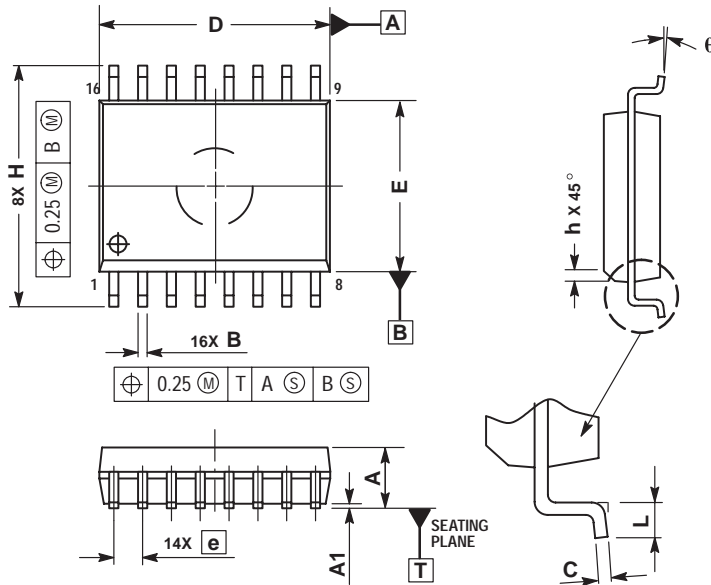


- NOTES:
1. DIMENSIONING AND TOLERANCING PER ANSI Y14.5M, 1982.
 2. CONTROLLING DIMENSION: INCH.
 3. DIMENSION L TO CENTER OF LEADS WHEN FORMED PARALLEL.
 4. DIMENSION B DOES NOT INCLUDE MOLD FLASH.
 5. ROUNDED CORNERS OPTIONAL.

DIM	INCHES		MILLIMETERS	
	MIN	MAX	MIN	MAX
A	0.740	0.770	18.80	19.55
B	0.250	0.270	6.35	6.85
C	0.145	0.175	3.69	4.44
D	0.015	0.021	0.39	0.53
F	0.040	0.70	1.02	1.77
G	0.100 BSC		2.54 BSC	
H	0.050 BSC		1.27 BSC	
J	0.008	0.015	0.21	0.38
K	0.110	0.130	2.80	3.30
L	0.295	0.305	7.50	7.74
M	0°	10°	0°	10°
S	0.020	0.040	0.51	1.01

- STYLE 1:
- | | |
|--------|---------|
| PIN 1: | CATHODE |
| 2: | CATHODE |
| 3: | CATHODE |
| 4: | CATHODE |
| 5: | CATHODE |
| 6: | CATHODE |
| 7: | CATHODE |
| 8: | CATHODE |
| 9: | ANODE |
| 10: | ANODE |
| 11: | ANODE |
| 12: | ANODE |
| 13: | ANODE |
| 14: | ANODE |
| 15: | ANODE |
| 16: | ANODE |
- STYLE 2:
- | | |
|--------|--------------|
| PIN 1: | COMMON DRAIN |
| 2: | COMMON DRAIN |
| 3: | COMMON DRAIN |
| 4: | COMMON DRAIN |
| 5: | COMMON DRAIN |
| 6: | COMMON DRAIN |
| 7: | COMMON DRAIN |
| 8: | COMMON DRAIN |
| 9: | GATE |
| 10: | SOURCE |
| 11: | GATE |
| 12: | SOURCE |
| 13: | GATE |
| 14: | SOURCE |
| 15: | GATE |
| 16: | SOURCE |

CASE 648-08
ISSUE R



- NOTES:
1. DIMENSIONS ARE IN MILLIMETERS.
 2. INTERPRET DIMENSIONS AND TOLERANCES PER ASME Y14.5M, 1994.
 3. DIMENSIONS D AND E DO NOT INCLUDE MOLD PROTRUSION.
 4. MAXIMUM MOLD PROTRUSION 0.15 PER SIDE.
 5. DIMENSION B DOES NOT INCLUDE DAMBAR PROTRUSION. ALLOWABLE DAMBAR PROTRUSION SHALL BE 0.13 TOTAL IN EXCESS OF THE B DIMENSION AT MAXIMUM MATERIAL CONDITION.


DIM	MILLIMETERS	
	MIN	MAX
A	2.35	2.65
A1	0.10	0.25
B	0.35	0.49
C	0.23	0.32
D	10.15	10.45
E	7.40	7.60
e	1.27 BSC	
H	10.05	10.55
h	0.25	0.75
L	0.50	0.90
θ	0°	7°

CASE 751G-03
ISSUE B

NOTES

Freescale Semiconductor, Inc.

Mfax is a trademark of Motorola, Inc.

Motorola reserves the right to make changes without further notice to any products herein. Motorola makes no warranty, representation or guarantee regarding the suitability of its products for any particular purpose, nor does Motorola assume any liability arising out of the application or use of any product or circuit, and specifically disclaims any and all liability, including without limitation consequential or incidental damages. "Typical" parameters which may be provided in Motorola data sheets and/or specifications can and do vary in different applications and actual performance may vary over time. All operating parameters, including "Typicals" must be validated for each customer application by customer's technical experts. Motorola does not convey any license under its patent rights nor the rights of others. Motorola products are not designed, intended, or authorized for use as components in systems intended for surgical implant into the body, or other applications intended to support or sustain life, or for any other application in which the failure of the Motorola product could create a situation where personal injury or death may occur. Should Buyer purchase or use Motorola products for any such unintended or unauthorized application, Buyer shall indemnify and hold Motorola and its officers, employees, subsidiaries, affiliates, and distributors harmless against all claims, costs, damages, and expenses, and reasonable attorney fees arising out of, directly or indirectly, any claim of personal injury or death associated with such unintended or unauthorized use, even if such claim alleges that Motorola was negligent regarding the design or manufacture of the part. Motorola and  are registered trademarks of Motorola, Inc. Motorola, Inc. is an Equal Opportunity/Affirmative Action Employer.

How to reach us:

USA/EUROPE/Locations Not Listed: Motorola Literature Distribution; P.O. Box 5405, Denver, Colorado 80217.
1-303-675-2140 or 1-800-441-2447

JAPAN: Motorola Japan Ltd.; SPS, Technical Information Center, 3-20-1, Minami-Azabu. Minato-ku, Tokyo 106-8573 Japan.
81-3-3440-3569

ASIA/PACIFIC: Motorola Semiconductors H.K. Ltd.; Silicon Harbour Centre, 2 Dai King Street, Tai Po Industrial Estate, Tai Po, N.T., Hong Kong. 852-26668334

Customer Focus Center: 1-800-521-6274

Mfax™: RMFAX0@email.sps.mot.com – TOUCHTONE 1-602-244-6609
Motorola Fax Back System – US & Canada ONLY 1-800-774-1848
– <http://sps.motorola.com/mfax/>

HOME PAGE: <http://motorola.com/sps/>



MOTOROLA

**For More Information On This Product,
Go to: www.freescale.com**

MC14600/D